

Product description:

RL 213 is a play system, with climbing net, firemanpole and slide

The robe is taifun, firemanpole and slide stainless steel.

The wood is Robinie heartwood whit a durability of aprox 30 years in contact with soil.

Target group:

For Children aged 3-14 years.

Safety requirements:

RL 213 maintains the requirements described in EN 1176, part 1 and 2 (2008 edition)

Technical specifications:

Se our catalogue page 13



Stamp / signature:

Subject: 3d drawing



Date:04.09.2012

Dr.Nr:RL 213 T-1

Format:A4

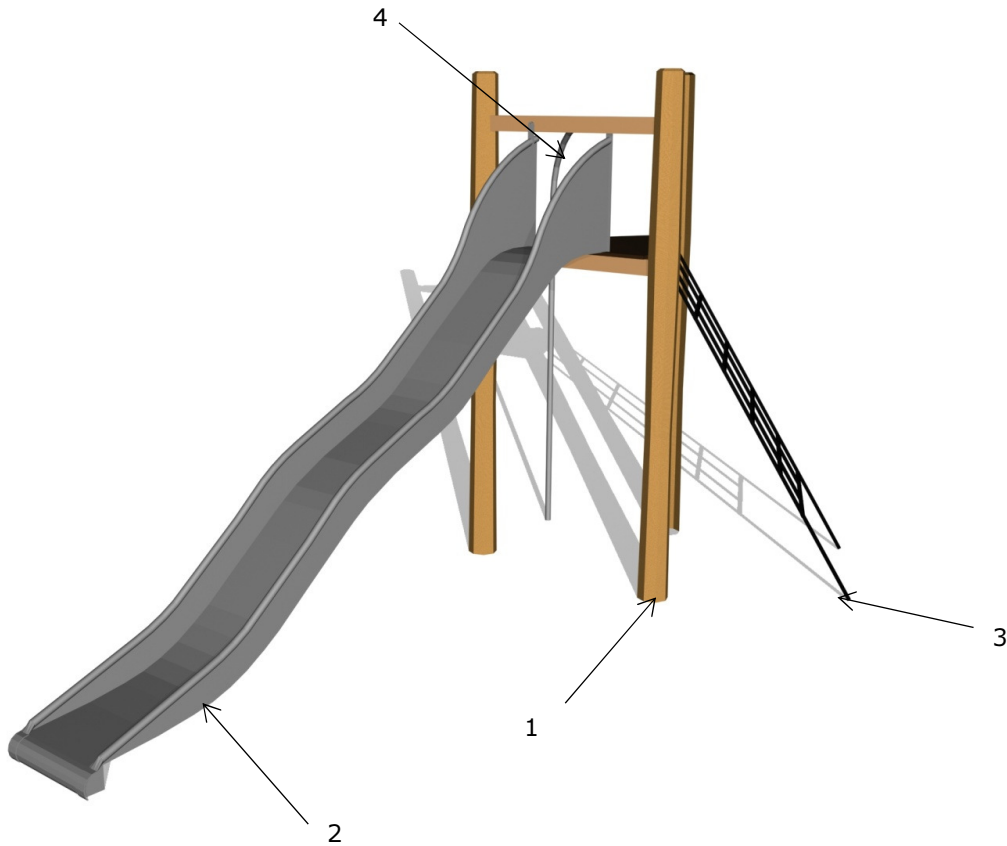
Safety area:

Sign:SE/Aps

Rev:

Scale:

Page: 1 of 7



Partlist:

No:	Name:	Pcs.:	Dimension:	Drawing nr.:	Certificate nr.:
1	Post	5	Robinie Ø14-16cm L=380cm		
2	Slide	10	Stainless steel		
3	Net	1		10956-1	
4	Fireman pole	1	Stainless steel Ø38mm	11005	
5	Robe insallation, post	23	Se Assembly principle C		

Stamp / signature:

Subject: Part list



Date:04.09.2012

Dr.Nr:RL 213 T-2

Format:A4

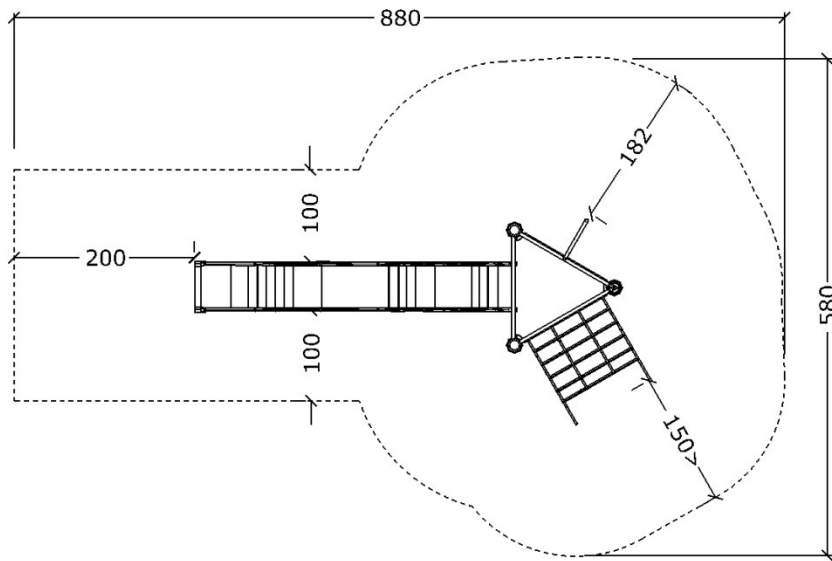
Safety area:

Sign:SE/Aps

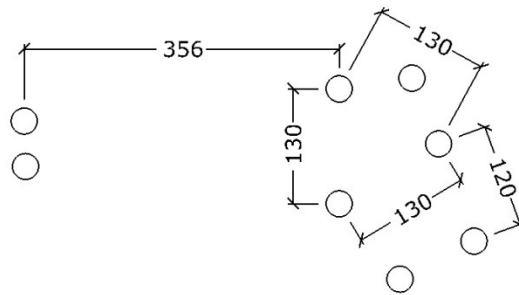
Rev:

Scale:

Page: 2 of 7



Plan, safety area



Foundation plan

Stamp / signature:

Subject: Safety area, Foundation plan



Date:04.09.2012

Dr.Nr:RL 213 T-3

Format: A4

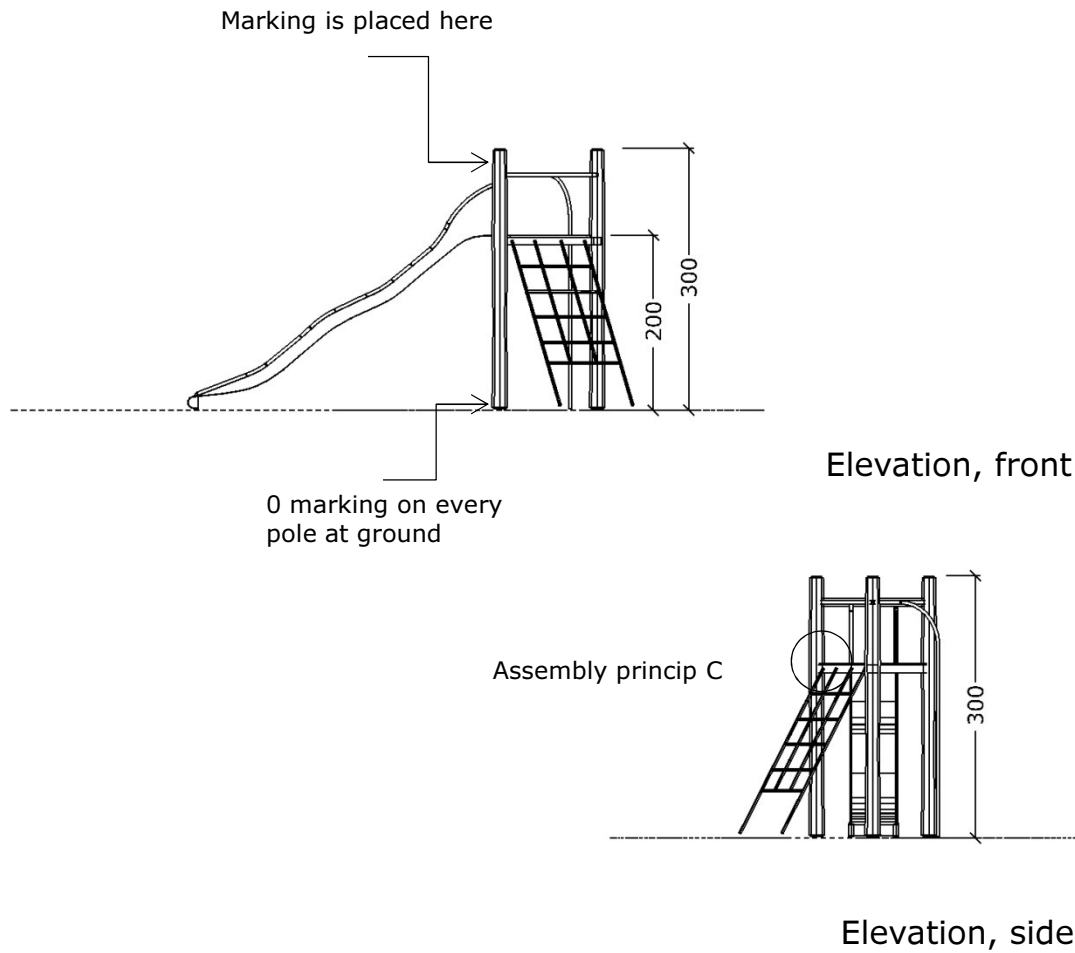
Safety area:165m2

Sign:SE/Aps

Rev:

Scale:

Page: 3 of 7



Stamp / signature:

Subject: Elevation, front – side



Date:04.09.2012

Dr.Nr:RL 213 T-4

Format: A4

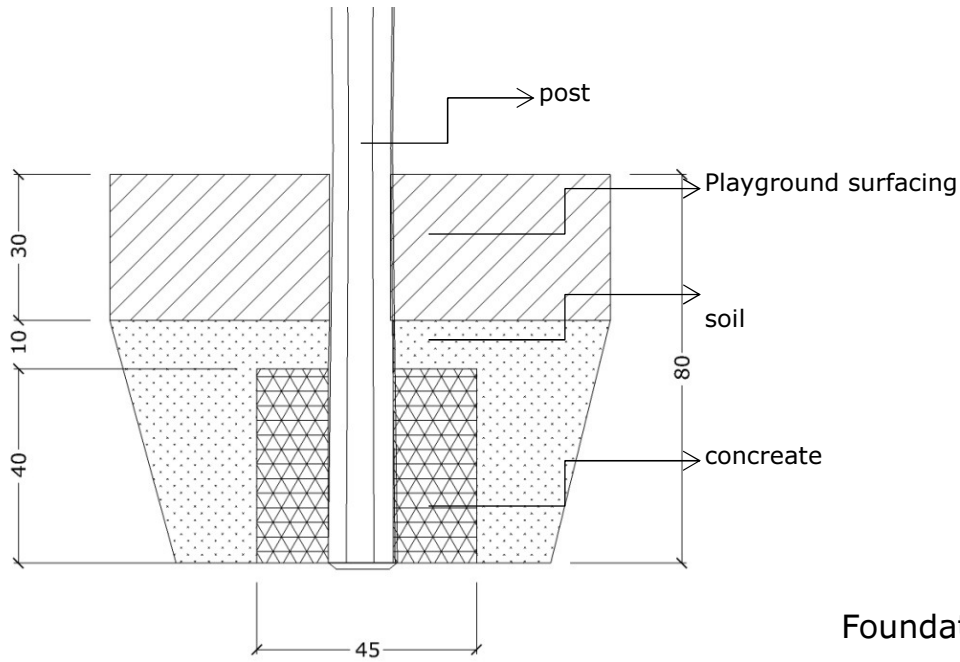
Safety area:

Sign:SE/Aps

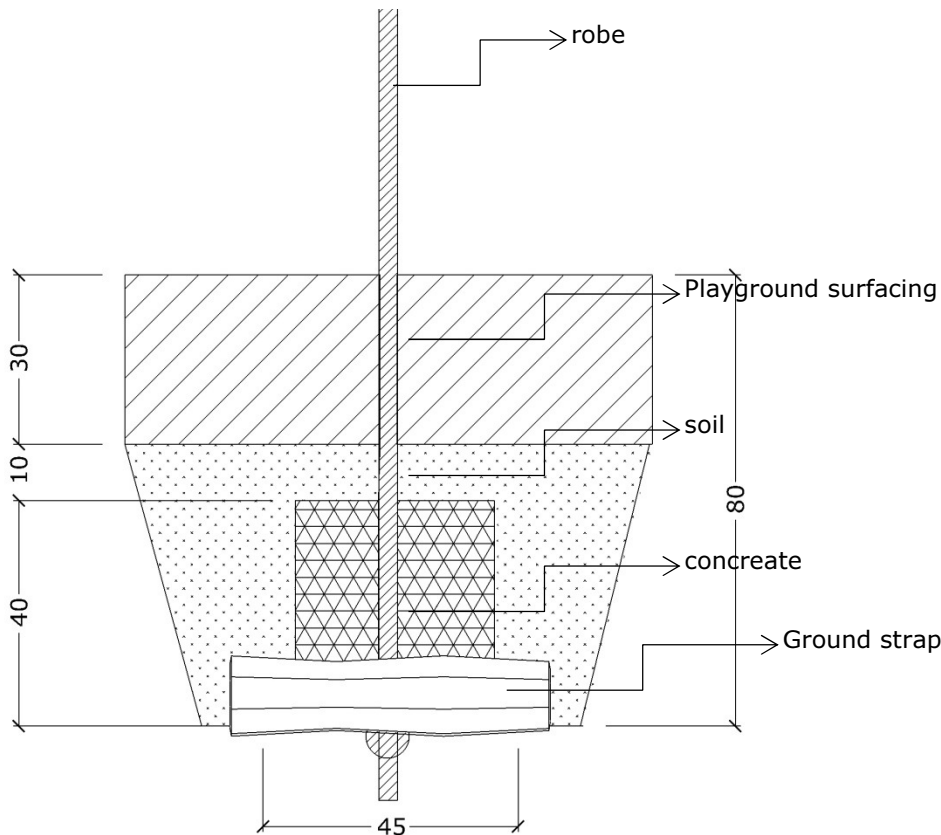
Rev:

Scale:

Page: 4 of 7



Foundation, post



Foundation, robe

Stamp / signature:

Subject: Foundation



Date:04.09.2012

Dr.Nr:RL 213 T-5

Format: A4

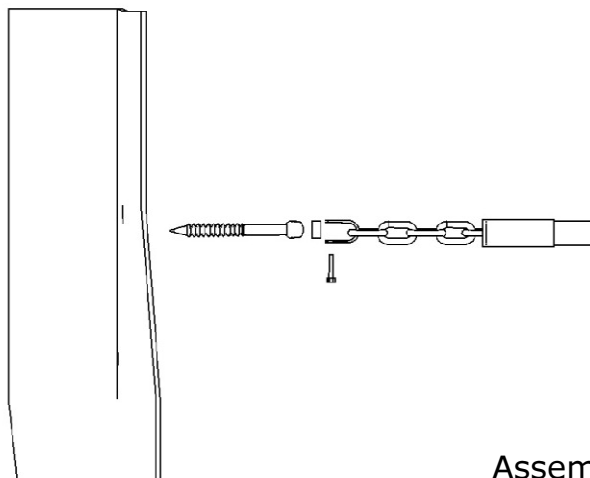
Safety area:

Sign:SE/Aps

Rev:

Scale:

Page: 5 of 7



Stamp / signature:

Subject: Assembly princip C



Date:04.09.2012

Dr.Nr:RL 213 T-6

Format: A4

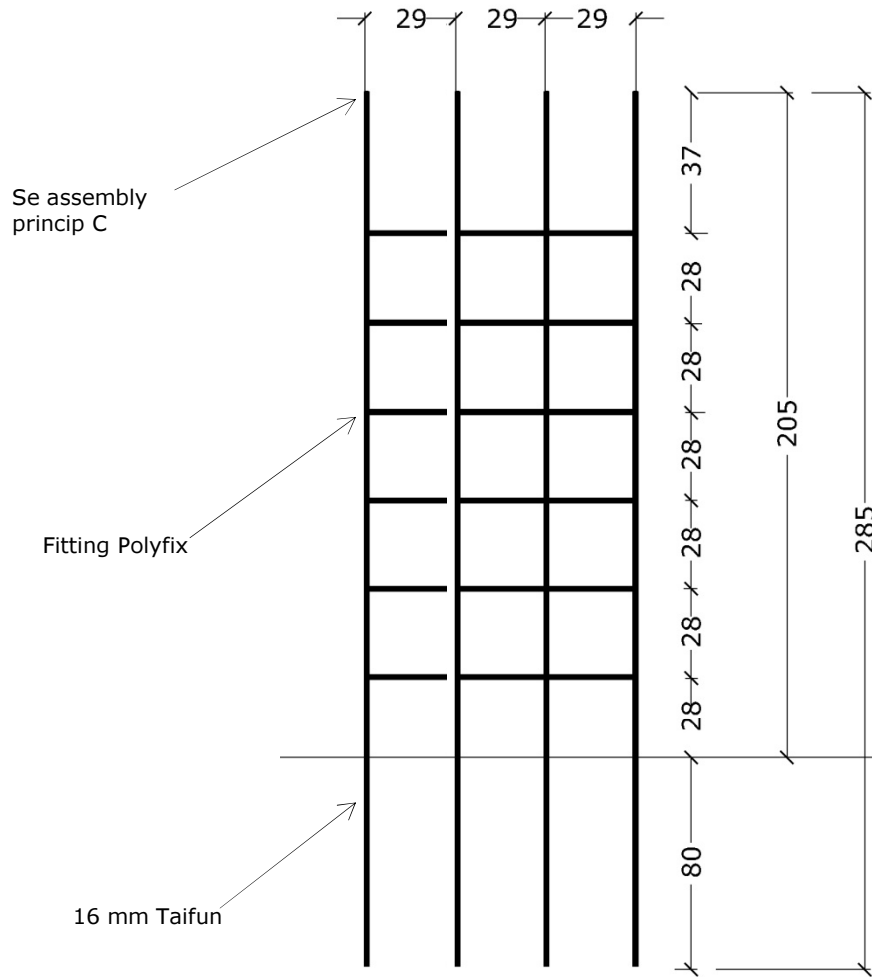
Safety Area:

Sign:SE/Aps

Rev:

Scale:

Page: 6 of 7



Stamp / signature:

Subject: Net 10956-1



Date: 04.09.2012

Dr.Nr: RL 213 T-7

Format: A4

Safety Area:

Sign: SE/Aps

Rev:

Scale:

Page: 7 of 7