

**Product description:**

RL 215 is a play system, with climbing net, fireman pole, rope ladder, tunnel slide aso

The rope is taifun, fireman pole and tunnel slide is in stainless steel.

The wood is Robinie heartwood whit a durability of aprox 30 years in contact with soil.

**Target group:**

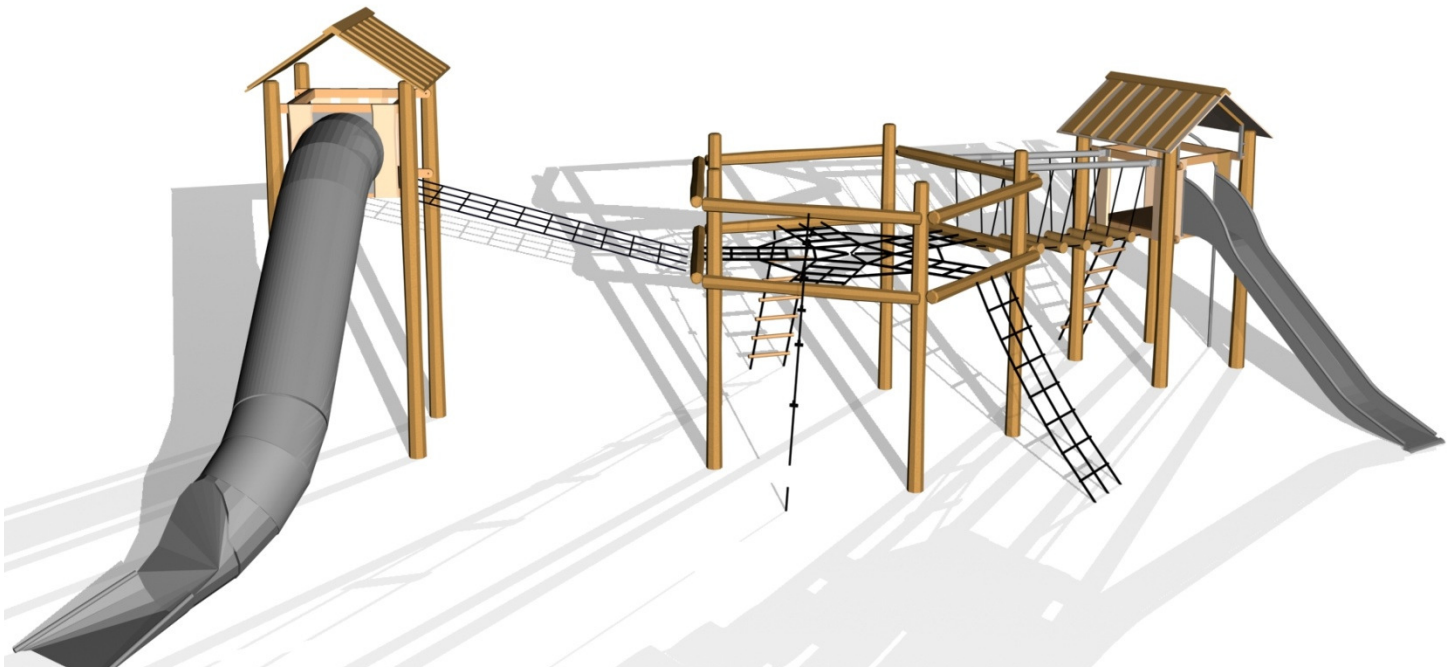
For Children aged 3-14 years.

**Safety requirements:**

RL 215 maintains the requirements described in EN 1176, part 1 and 2 (2008 edition)

**Technical specifications:**

Se our catalogue page 14



Stamp / signature:

Subject: 3d drawing



Date:04.09.2012

Dr.Nr:RL 215 T-1

Format:A4

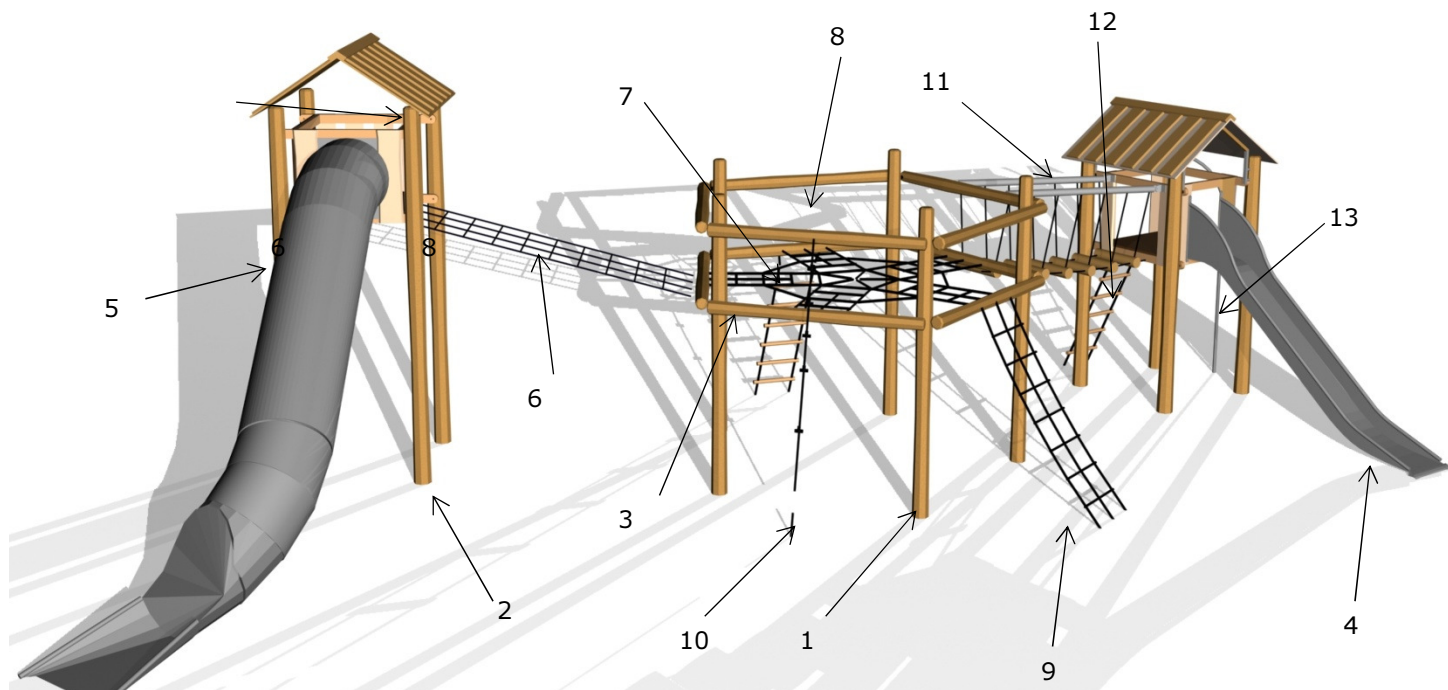
Safety area:

Sign:SE/Aps

Rev:

Scale:

Page: 1 of 11



Partlist:

No:	Name:	Pcs.:	Dimension:	Drawing nr.:	Certificate nr.:
1	Post	9	Robinie Ø14-16cm L=380cm		
2	Post	4	Robinie Ø14-16cm L=480cm		
3	Cros beam	10	Robinie Ø12-14cm L=220cm		
4	Slide	1	Stainless steel		
5	Climbing plate	1			
6	Net	1		Net RL 215	
7	Net	1		10954	
8	Robe ladder	1		10956	
9	Net	1		10952	
10	Knote robe	1		10955	
11	Wobbel bride	1			
12	Robe ladder	1		10956	
13	Firemans pole	1		11005	
14	Tunnel slide	1			
15	Robe insallation, post		Se Assembly principle C		
16	Distance block, incl fittings		Se Assembly principle A		

Stamp / signature:

Subject: Part list



Date:04.09.2012

Dr.Nr:RL 215 T-2

Format:A4

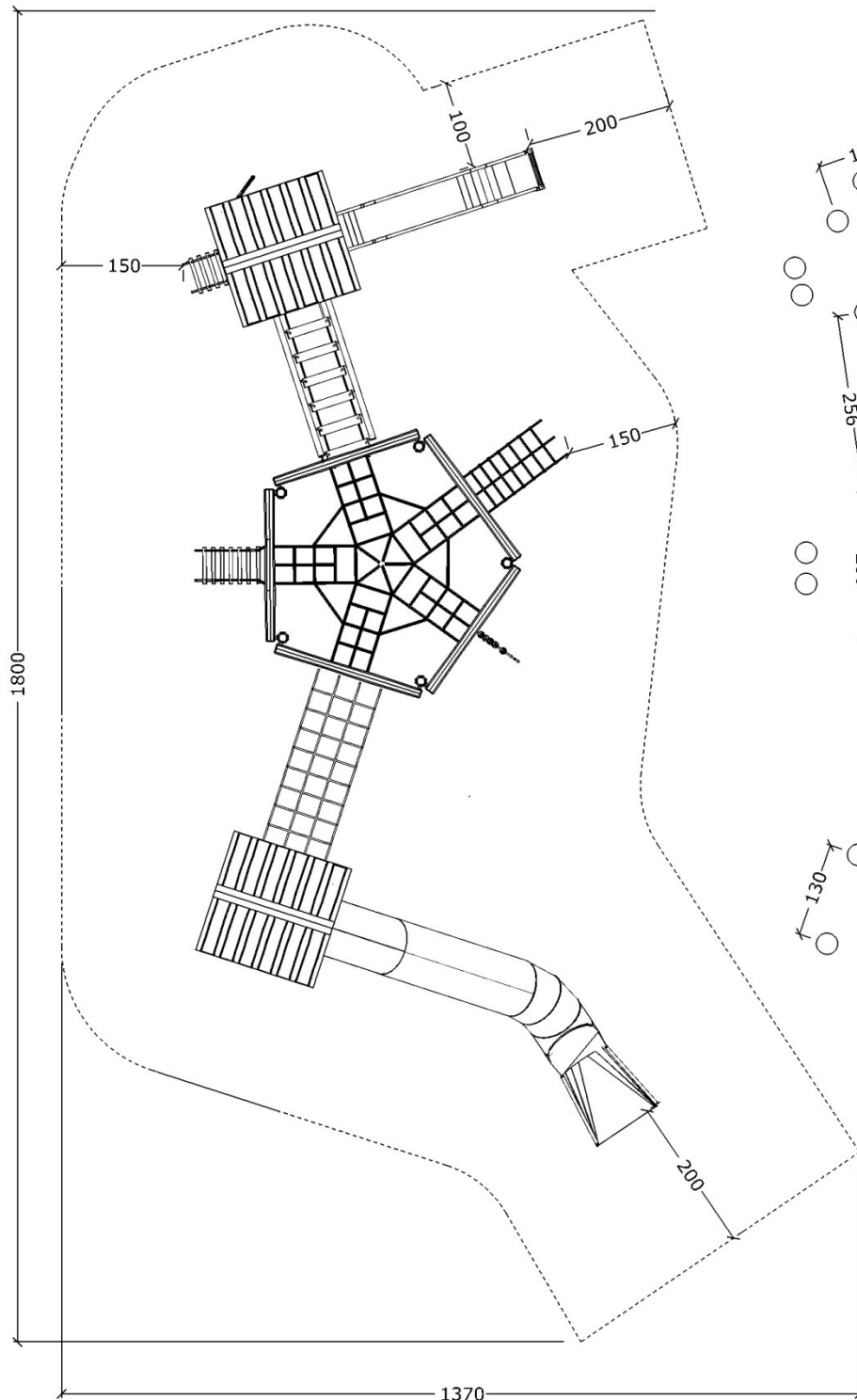
Safety area:

Sign:SE/Aps

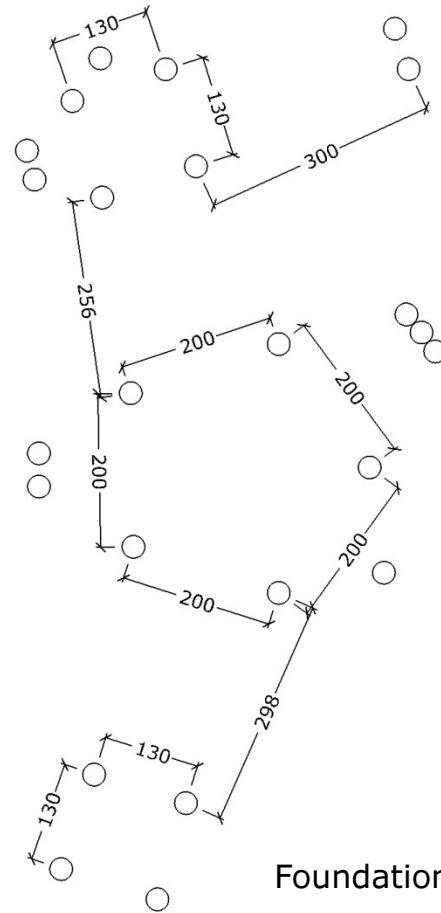
Rev:

Scale:

Page: 2 of 11



Plan, safety area



Foundation plan

Stamp / signature:

Subject: Safety area, Foundation plan



Date:04.09.2012

Dr.Nr:RL 215 T-3

Format: A4

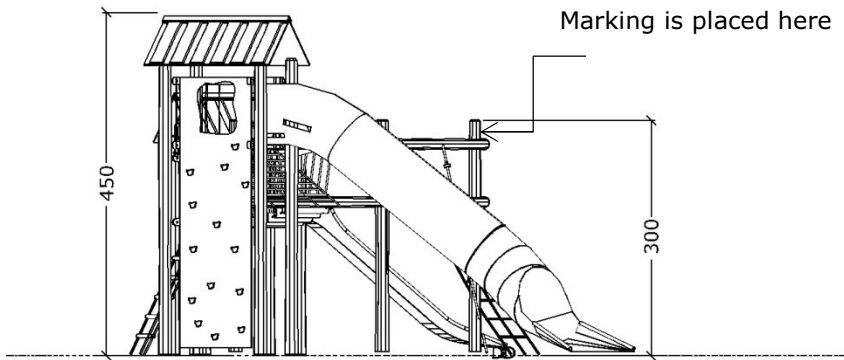
Safety area:138m2

Sign:SE/Aps

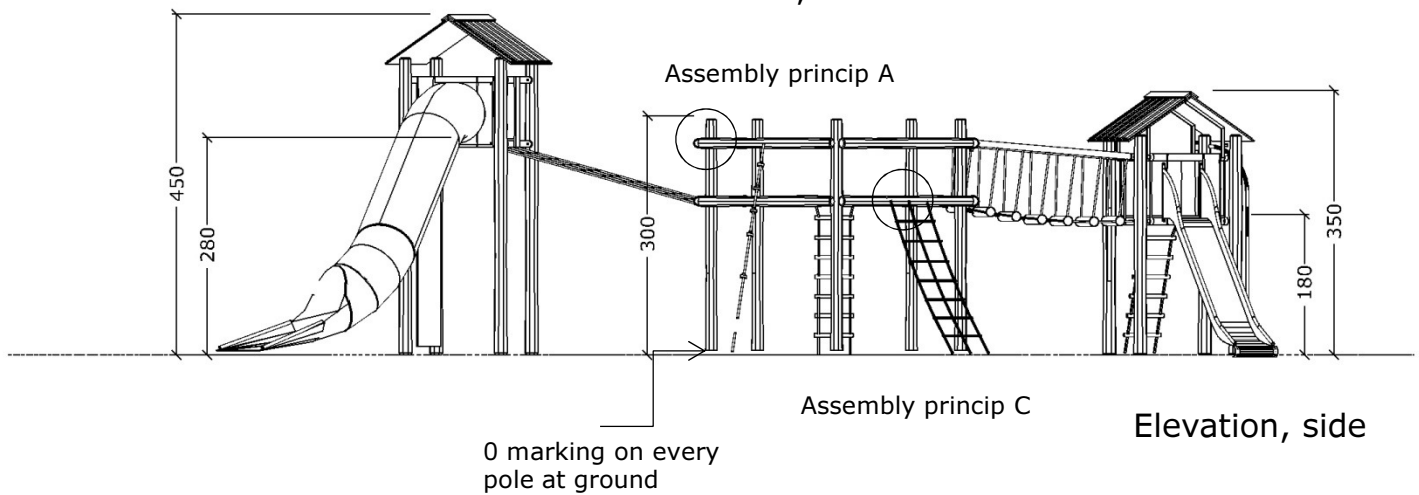
Rev:

Scale:

Page: 3 of 11



Elevation, front



Elevation, side

Stamp / signature:

Subject: Elevation, front – side



Date:04.09.2012

Dr.Nr:RL 215 T-4

Format: A4

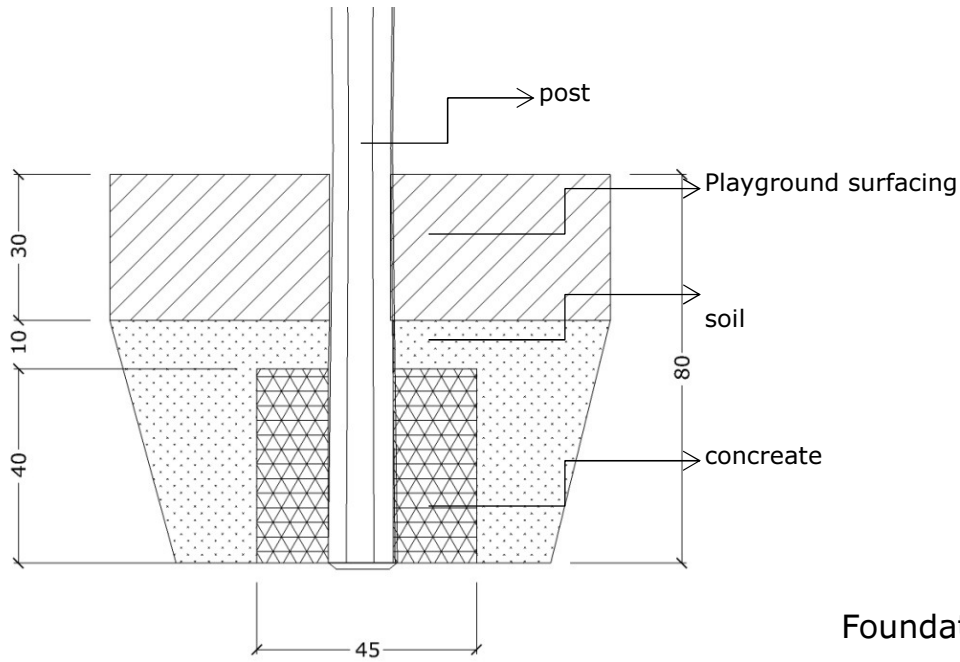
Safety area:

Sign:SE/Aps

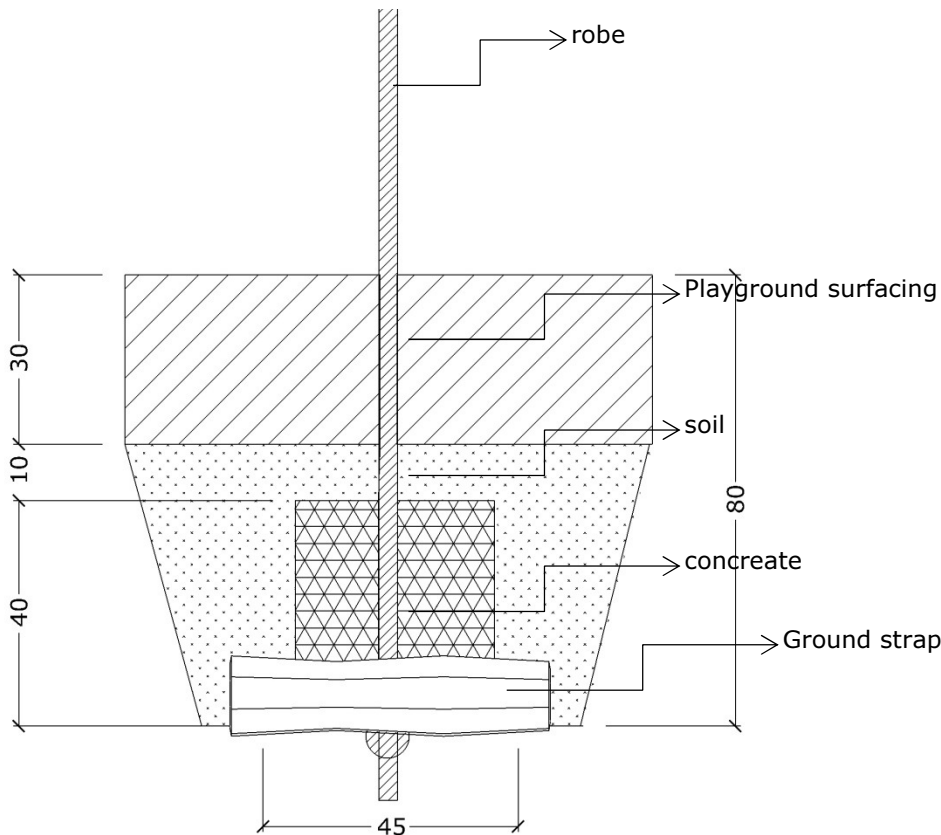
Rev:

Scale:

Page: 4 of 11



Foundation, post



Foundation, robe

Stamp / signature:

Subject: Foundation



Date:04.09.2012

Dr.Nr:RL 215 T-5

Format: A4

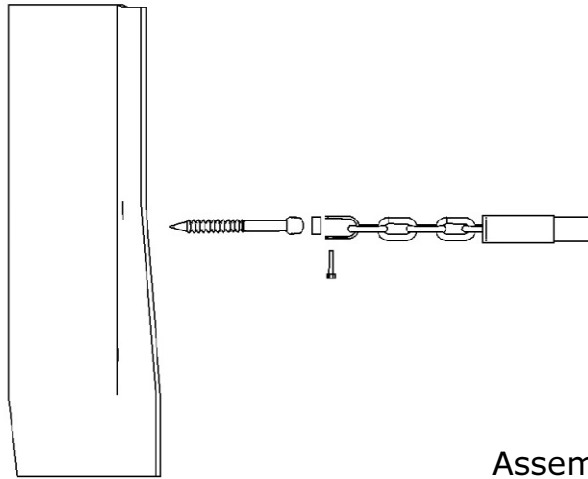
Safety area:

Sign:SE/Aps

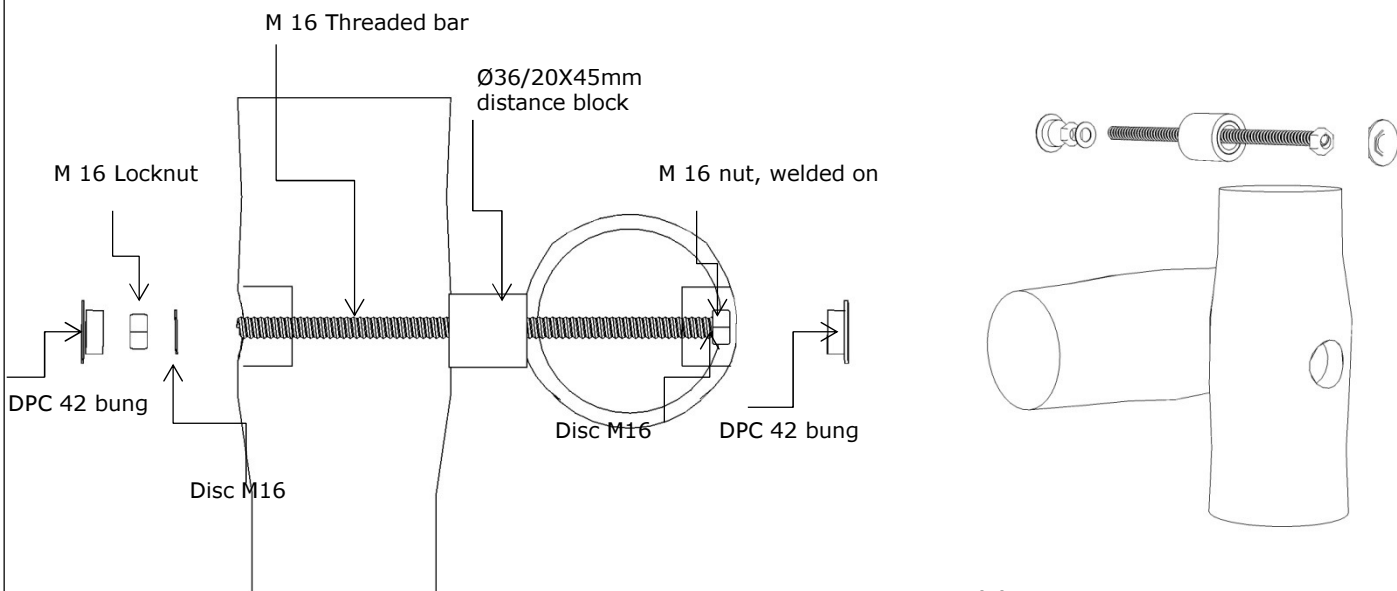
Rev:

Scale:

Page: 5 of 11



Assembly princip C



Assembly princip A

Stamp / signature:

Subject: Assembly princip C - A



Date:04.09.2012

Dr.Nr:RL 215 T-6

Format: A4

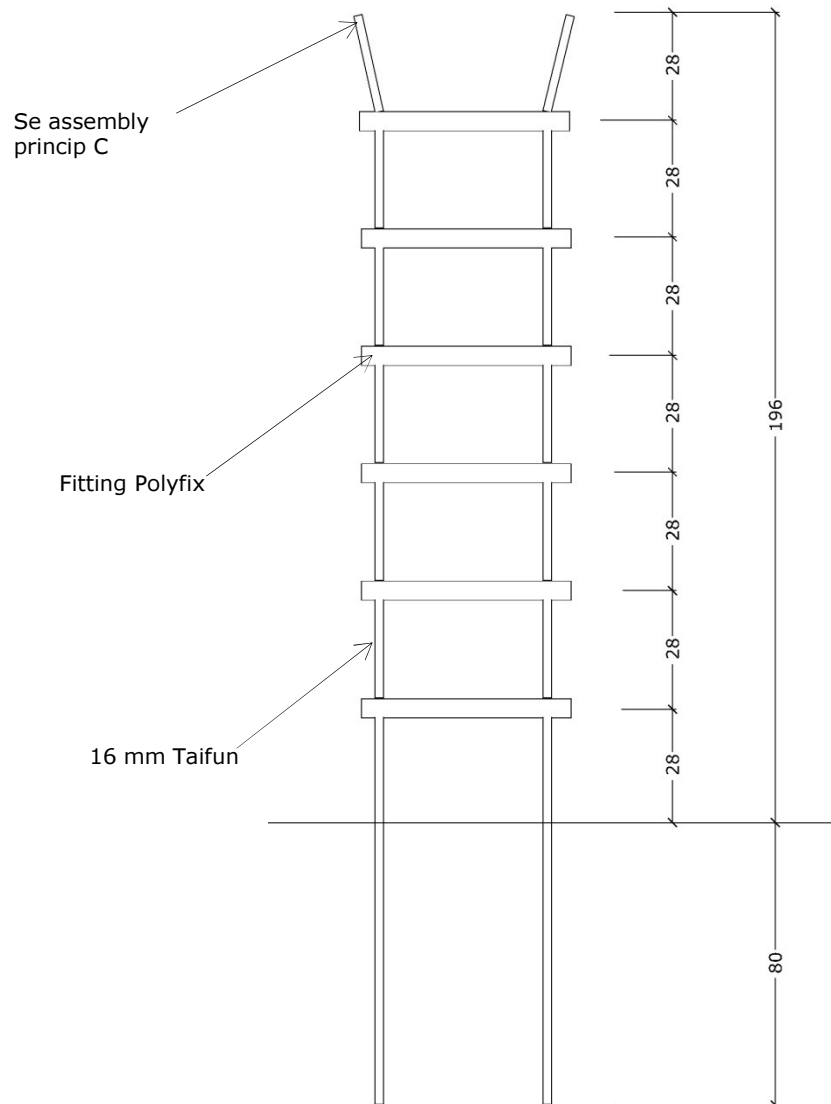
Safety Area:

Sign:SE/Aps

Rev:

Scale:

Page: 6 of 11



Stamp / signature:

Subject: Robe ladder 10956



Date:04.09.2012

Dr.Nr:RL 215 T-7

Format: A4

Safety Area:

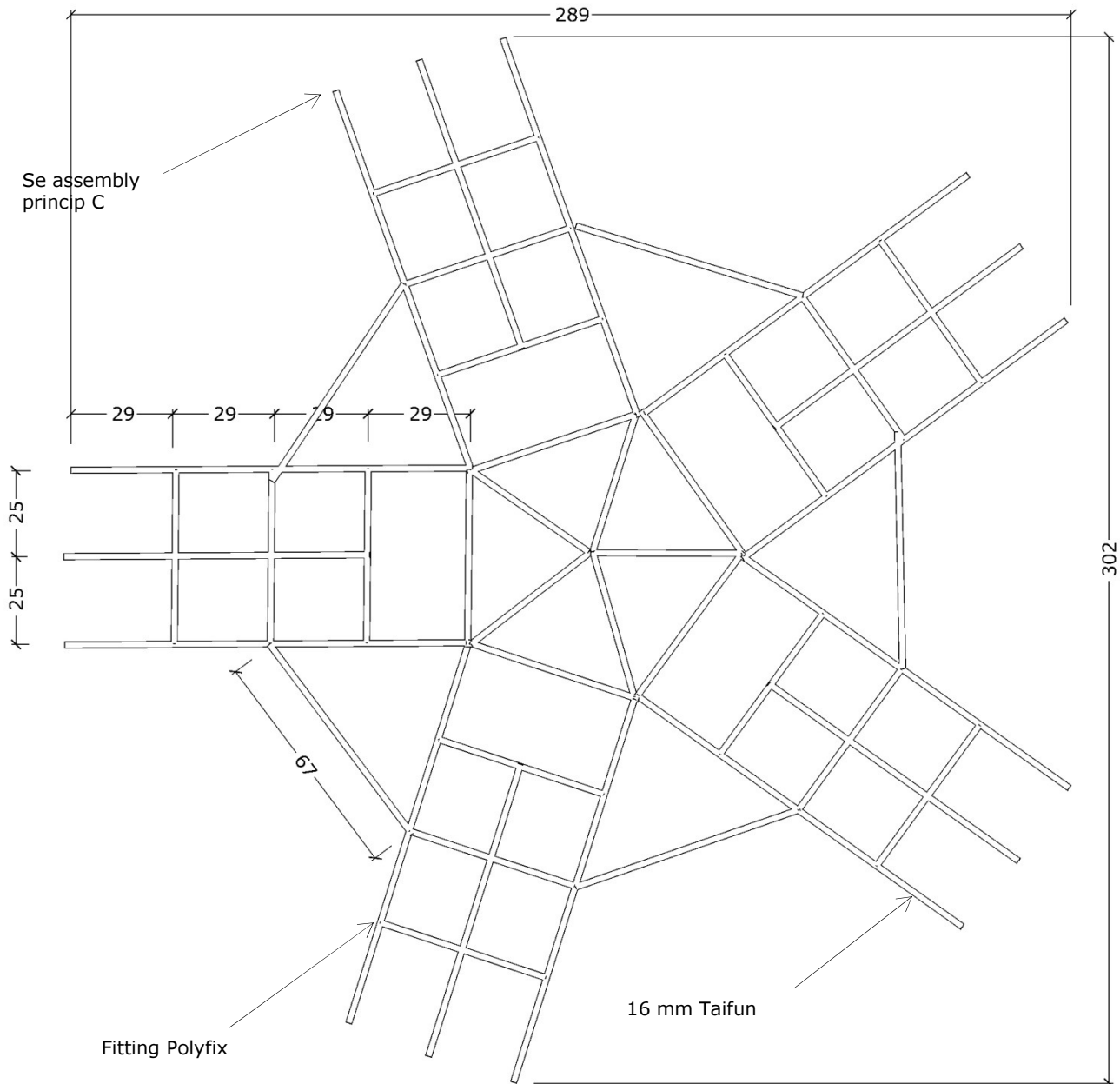
Sign:SE/Aps

Rev:

Scale:

Page: 7 of 11





Stamp / signature:

Subject: **Net 10954**



Date: 04.09.2012

Dr.Nr: RL 215 T-8

Format: A4

Safety Area:

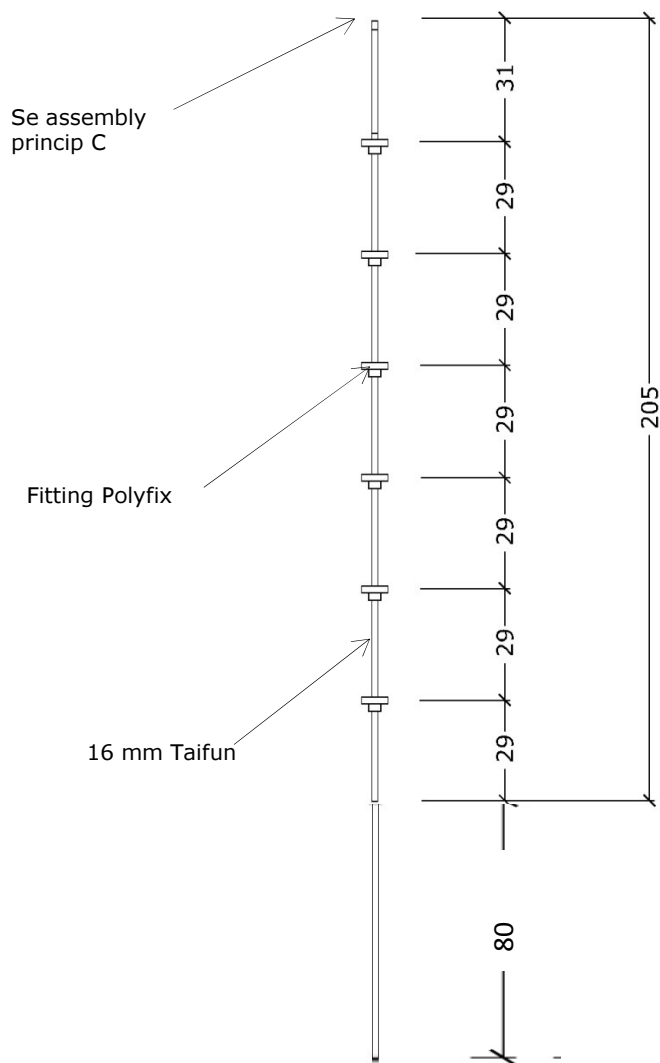
Sign: SE/Aps

Rev:

Scale:

Page: 8 of 11





Stamp / signature:

Subject: Climbing robe 10955



Date:04.09.2012

Dr.Nr:RL 215 T-9

Format: A4

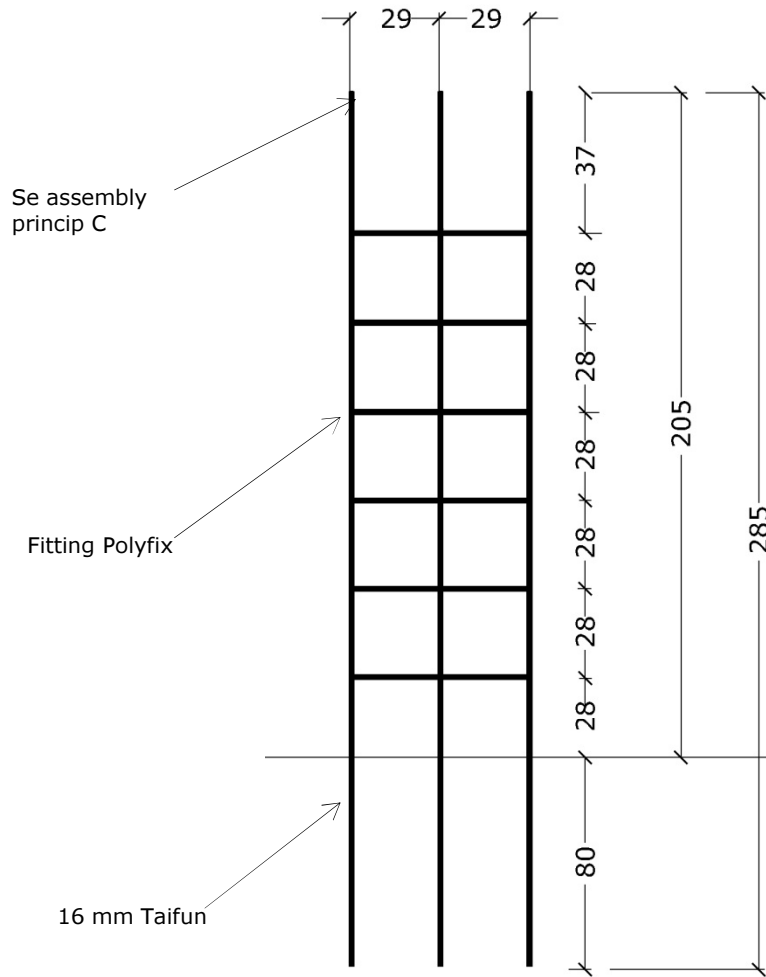
Safety Area:

Sign:SE/Aps

Rev:

Scale:

Page: 9 of 11



Stamp / signature:

Subject: Net 10956



Date:04.09.2012

Dr.Nr:RL 215 T-10

Format: A4

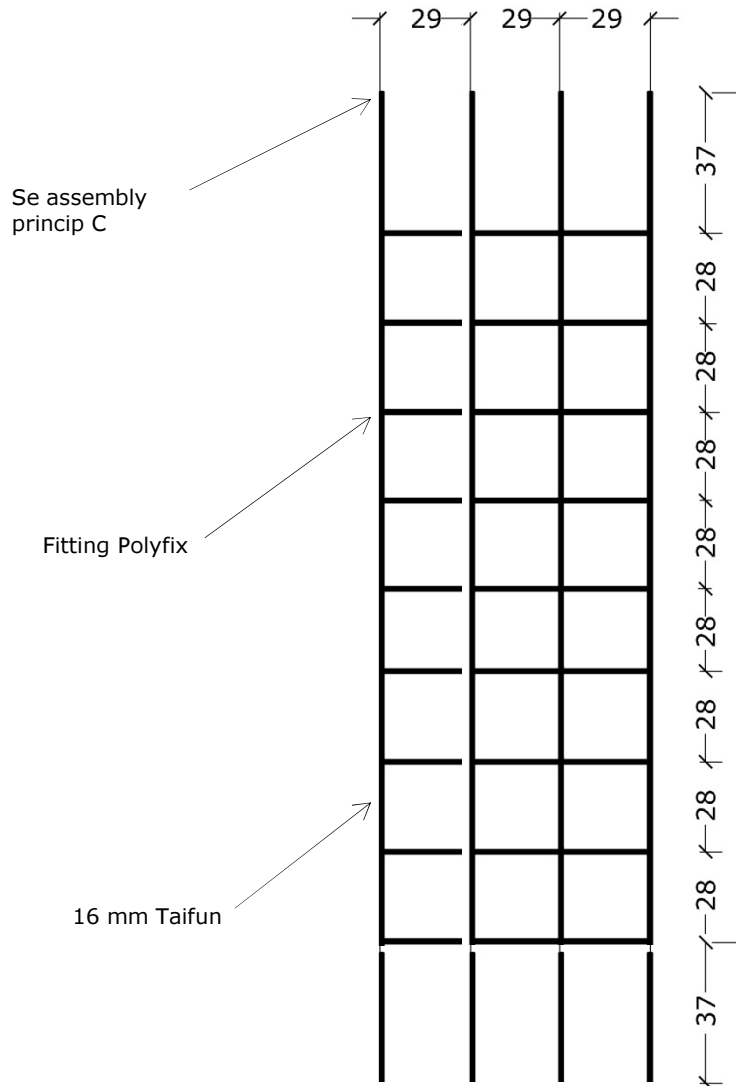
Safety Area:

Sign:SE/Aps

Rev:

Scale:

Page: 10 of 11



Stamp / signature:

Subject: Net rl 215



Date:04.09.2012

Dr.Nr:RL 215 T-11

Format: A4

Safety Area:

Sign:SE/Aps

Rev:

Scale:

Page: 11 of 11