

**Product description:**

RL 216 is a play system, with climbing net, fireman pole, climbing plate, slide, robe ladder, aso

The robe is taifun, slide and fireman pole is in stainless steel and the wood is Robinie heartwood whit a durability of aprox 30 years in contact with soil.

**Target group:**

For Children aged 3-14 years.

**Safety requirements:**

RL 216 maintains the requirements described in EN 1176, part 1 and 2 (2008 edition)

**Technical specifications:**

Se our catalogue page 15



Stamp / signature:

Subject: 3d drawing



Date:04.09.2012

Dr.Nr:RL 216 T-1

Format:A4

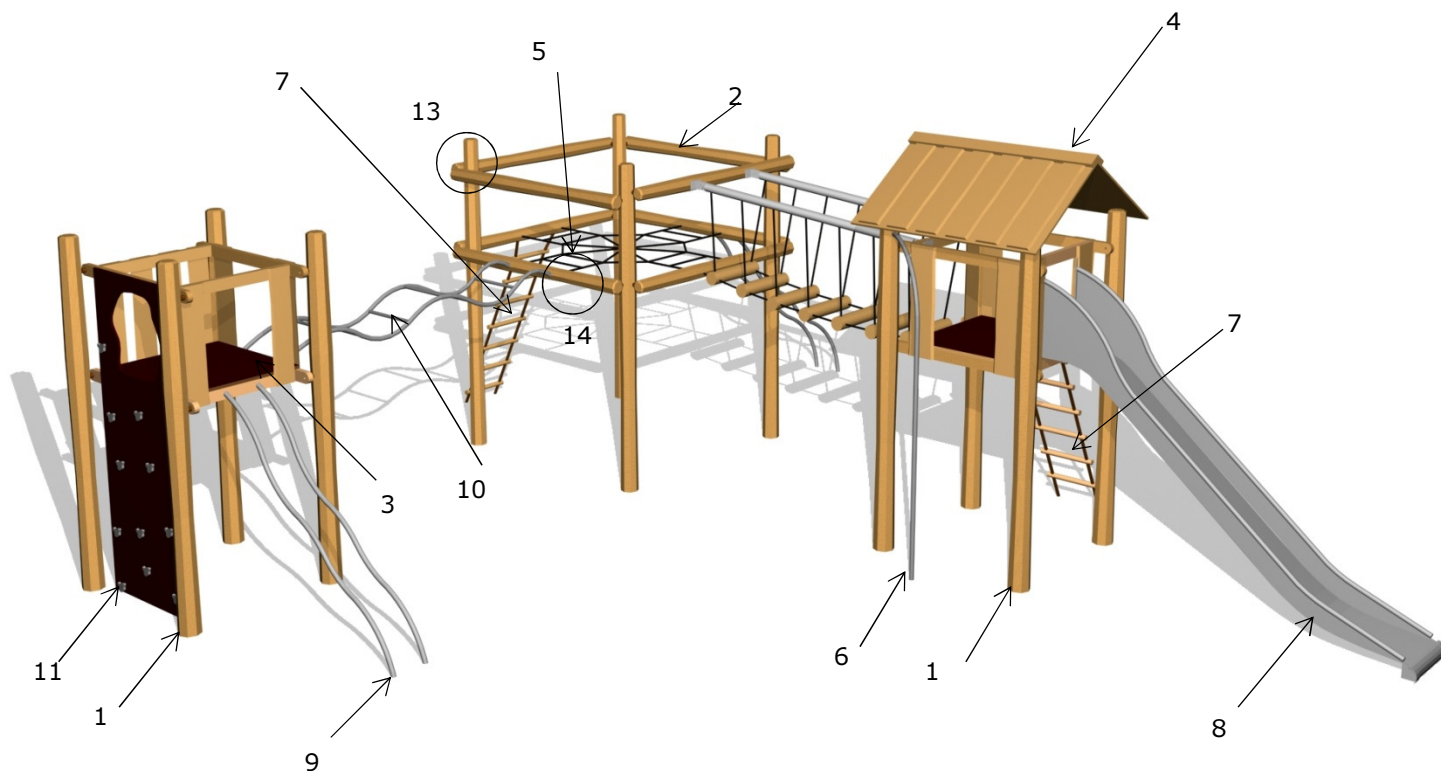
Safety area:

Sign:SE/Aps

Rev:

Scale:

Page: 1 of 8



Partlist:

No:	Name:	Pcs.:	Dimension:	Drawing nr.:	Certificate nr.:
1	Post	12	Robinie Ø14-16cm L=380cm		
2	Cros beam	8	Robinie Ø12-14cm L=220cm		
3	flor	2			
4	roof	1			
5	Net	1		11090	
6	Fireman pole	1	Stainless steel Ø38mm	11005	
7	Robe ladder	2		10956	
8	Slide	1	Stainless steel Ø38mm	RJ 1805	
9	Sliding pole	1	Stainless steel Ø38mm	11003	
10	Curving rib	1	Stainless steel Ø38mm		
11	Climbing plate	1			
12	Robe insallation, post	23	Se Assembly principle C		
13	Distance block, incl fittings	40	Se Assembly principle A		

Stamp / signature:

Subject: Part list



Date:04.09.2012

Dr.Nr:RL 216 T-2

Format:A4

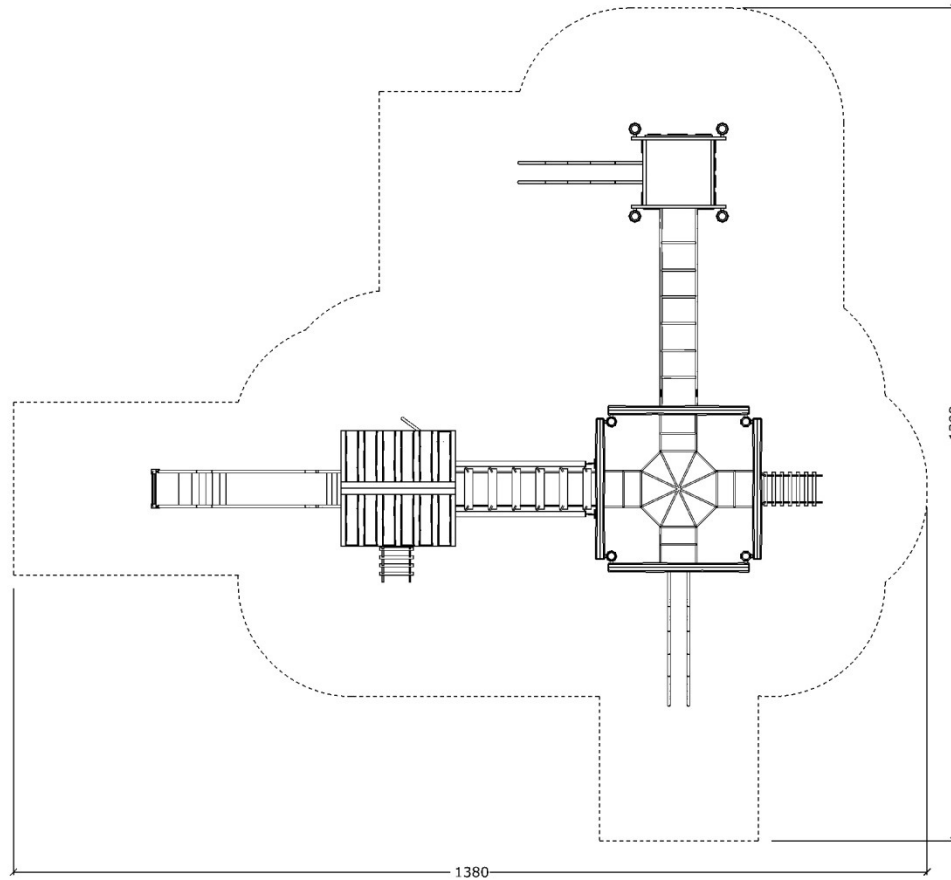
Safety area:

Sign:SE/Aps

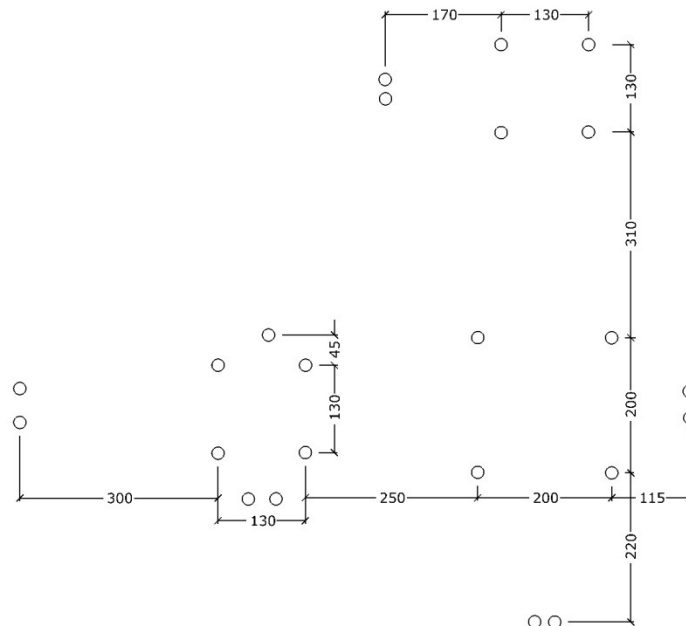
Rev:

Scale:

Page: 2 of 8



Plan, safety area



Foundation plan

Stamp / signature:

Subject: Safety area, Foundation plan



Date:04.09.2012

Dr.Nr:RL 216 T-3

Format: A4

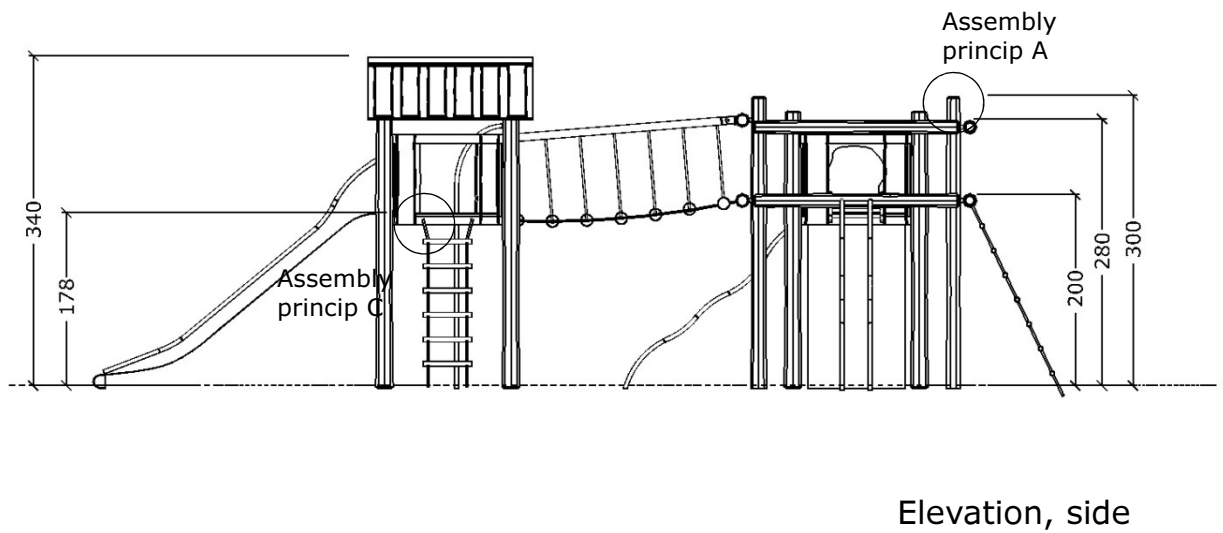
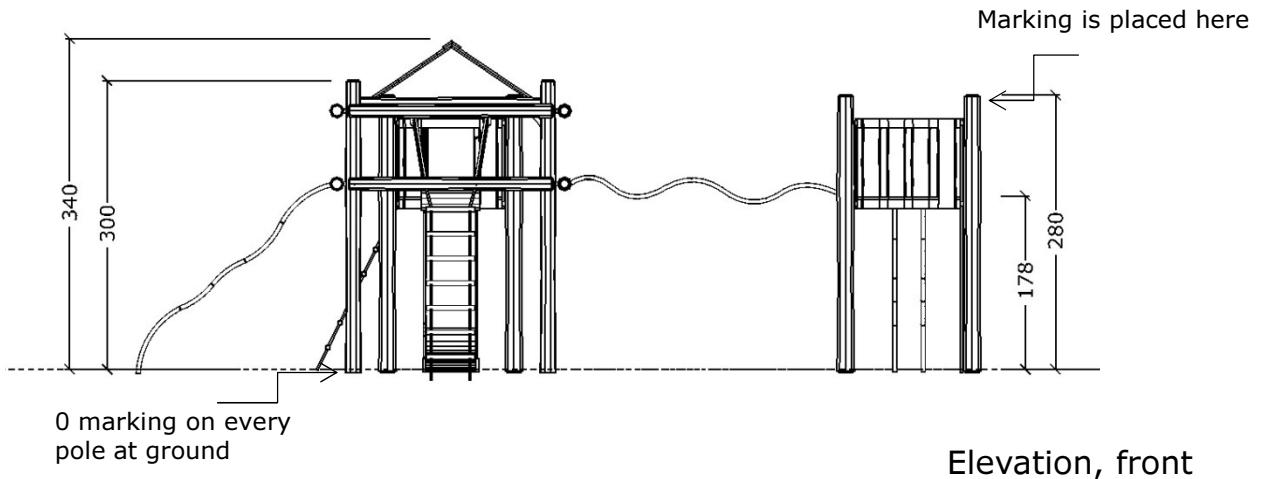
Safety area:96m2

Sign:SE/Aps

Rev:

Scale:

Page: 3 of 8



Stamp / signature:

Subject: Elevation, front – side



Date:04.09.2012

Dr.Nr:RL 216 T-4

Format: A4

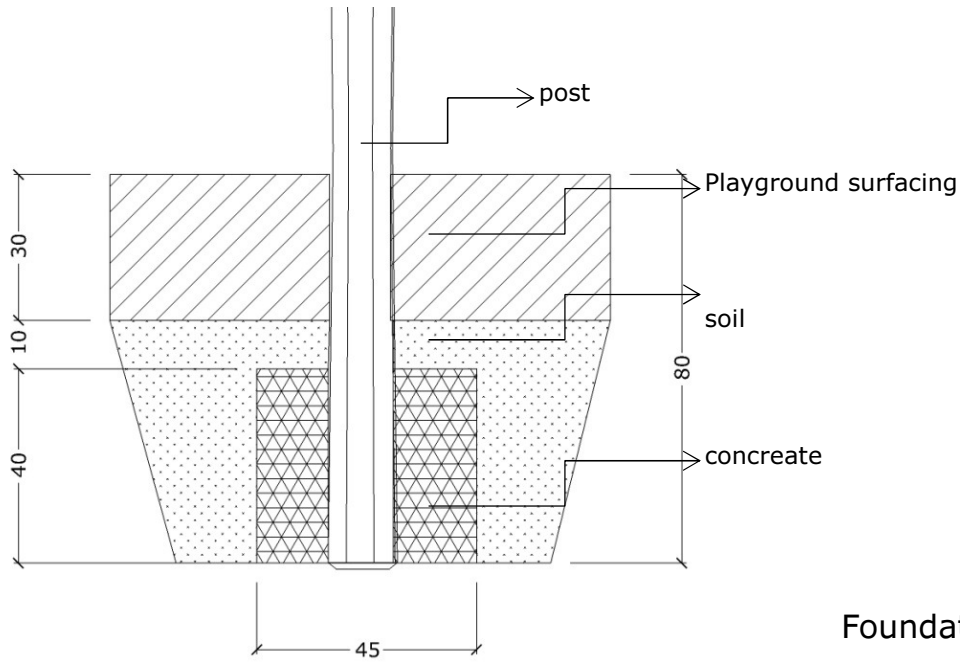
Safety area:

Sign:SE/Aps

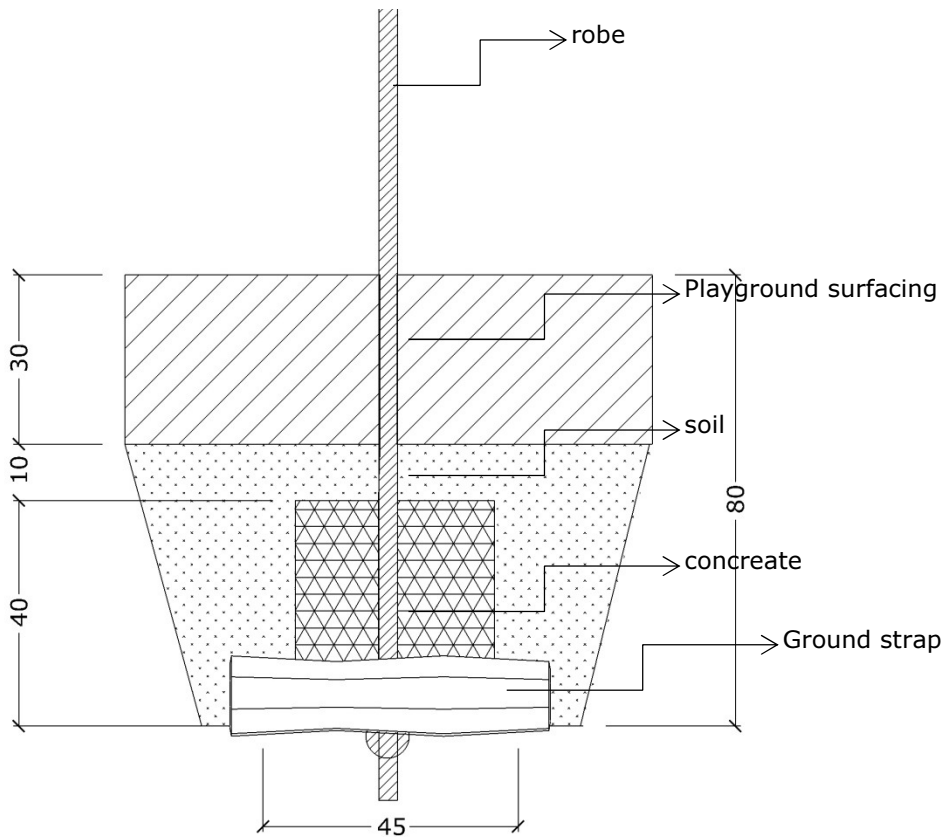
Rev:

Scale:

Page: 4 of 8



Foundation, post



Foundation, robe

Stamp / signature:

Subject: Foundation



Date: 04.09.2012

Dr.Nr: RL 216 T-5

Format: A4

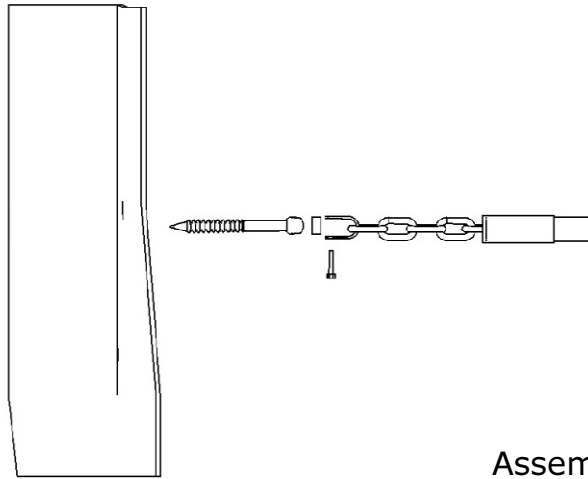
Safety area:

Sign: SE/Aps

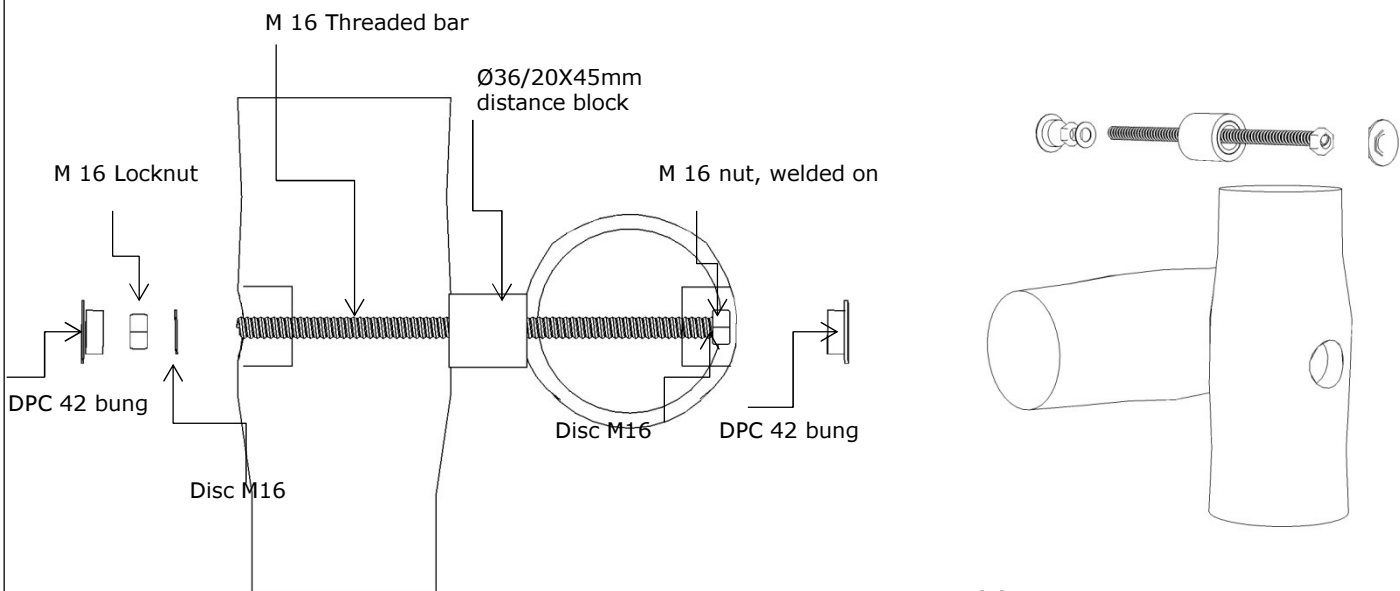
Rev:

Scale:

Page: 5 of 8



Assembly princip C



Assembly princip A

Stamp / signature:

Subject: Assembly princip C - A



Date:04.09.2012

Dr.Nr:RL 216 T-6

Format: A4

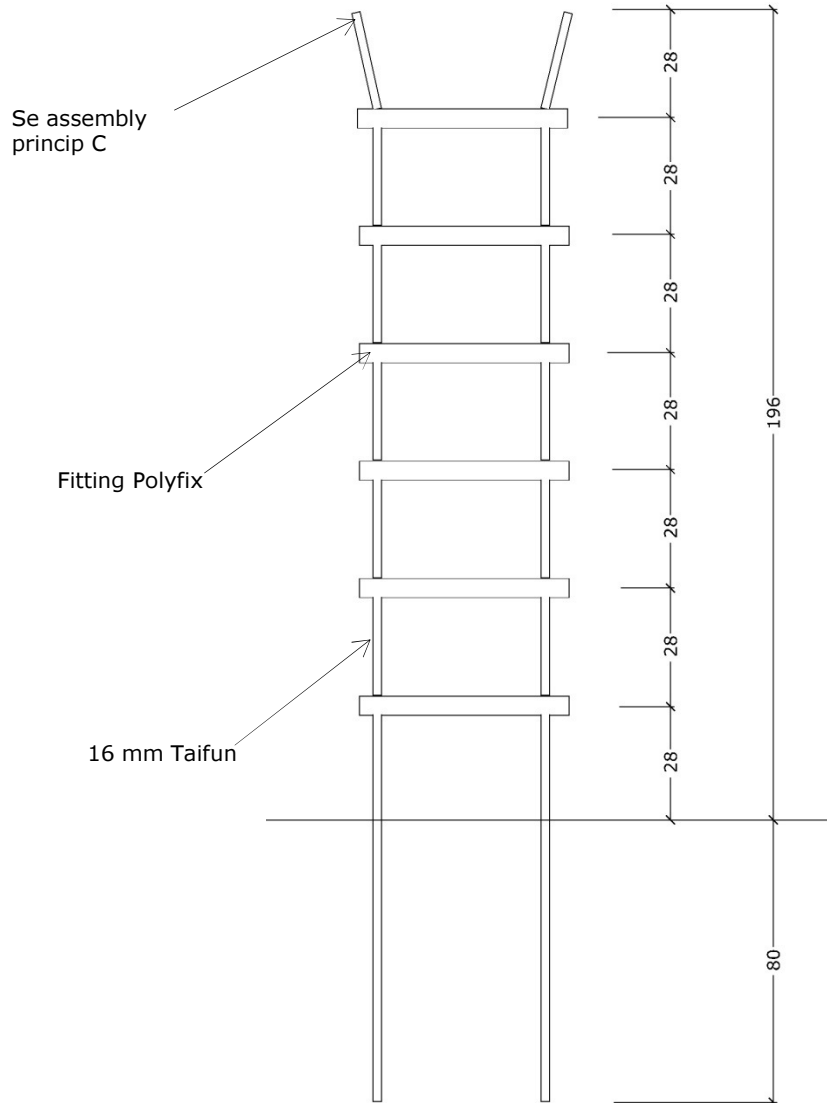
Safety Area:

Sign:SE/Aps

Rev:

Scale:

Page: 6 of 8



Stamp / signature:

Subject: Robe ladder 10956



Date:04.09.2012

Dr.Nr:RL 216 T-7

Format: A4

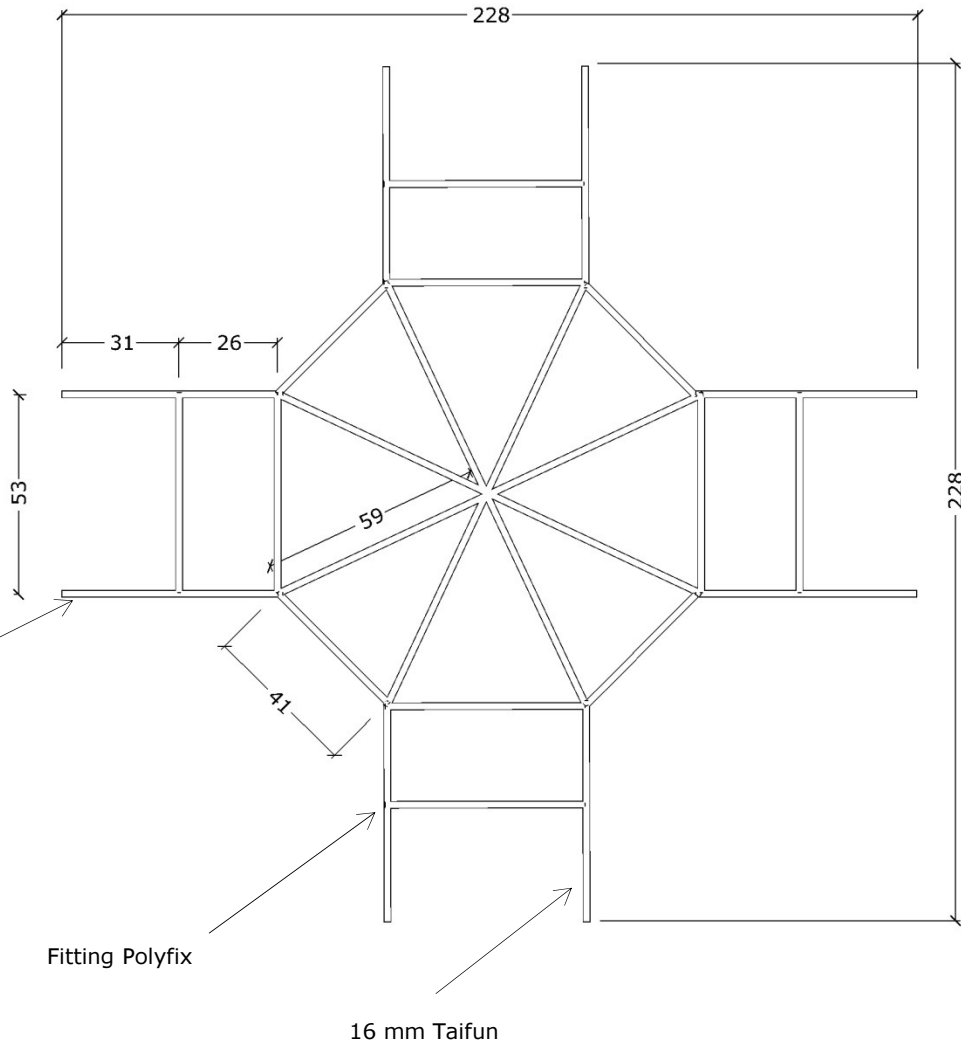
Safety Area:

Sign:SE/Aps

Rev:

Scale:

Page: 7 of 8



Stamp / signature:

Subject: Net 11090



Date:04.09.2012

Dr.Nr:RL 216 T-8

Format: A4

Safety Area:

Sign:SE/Aps

Rev:

Scale:

Page: 8 of 8