

Product description:

RL 217 is a play system, with climbing plate, slide, curved rib, rope ladder and robe ladder. The rope is taifun, slide and rib in stainless steel. The wood is Robinie heartwood with a durability of approx 30 years in contact with soil.

Target group:

For Children aged 3-14 years.

Safety requirements:

RL 217 maintains the requirements described in EN 1176, part 1 and 2 (2008 edition)

Technical specifications:

See our catalogue page 15



Stamp / signature:

Subject: 3d drawing



Date:04.09.2012

Dr.Nr:RL 217 T-1

Format:A4

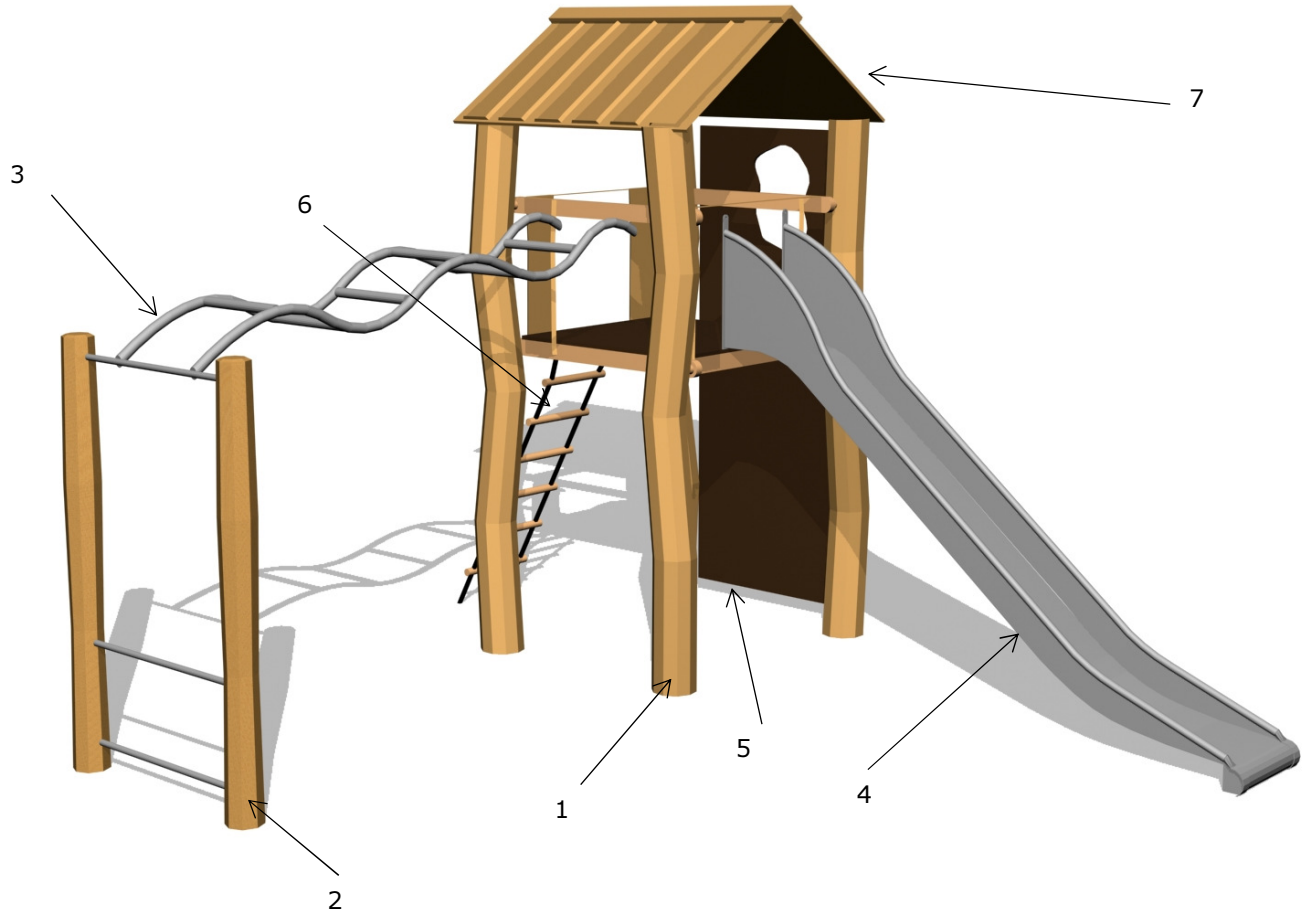
Safety area:

Sign:SE/Aps

Rev:

Scale:

Page: 1 of 7



Partlist:

No:	Name:	Pcs.:	Dimension:	Drawing nr.:	Certificate nr.:
1	Post	4	Robinie Ø14-16cm L=380cm		
2	Post	2	Robinie Ø14-16cm L=300cm		
3	Curved rib	1	Stainless steel Ø38mm		
4	Slide	1	Stainless steel Ø38mm		
5	Climbing plate	1			
6	Robe ladder	1		10956	
7	Roof	1			
8	Robe insallation, post	23	Se Assembly principle C		

Stamp / signature:

Subject: Part list



Date:04.09.2012

Dr.Nr:RL 217 T-2

Format:A4

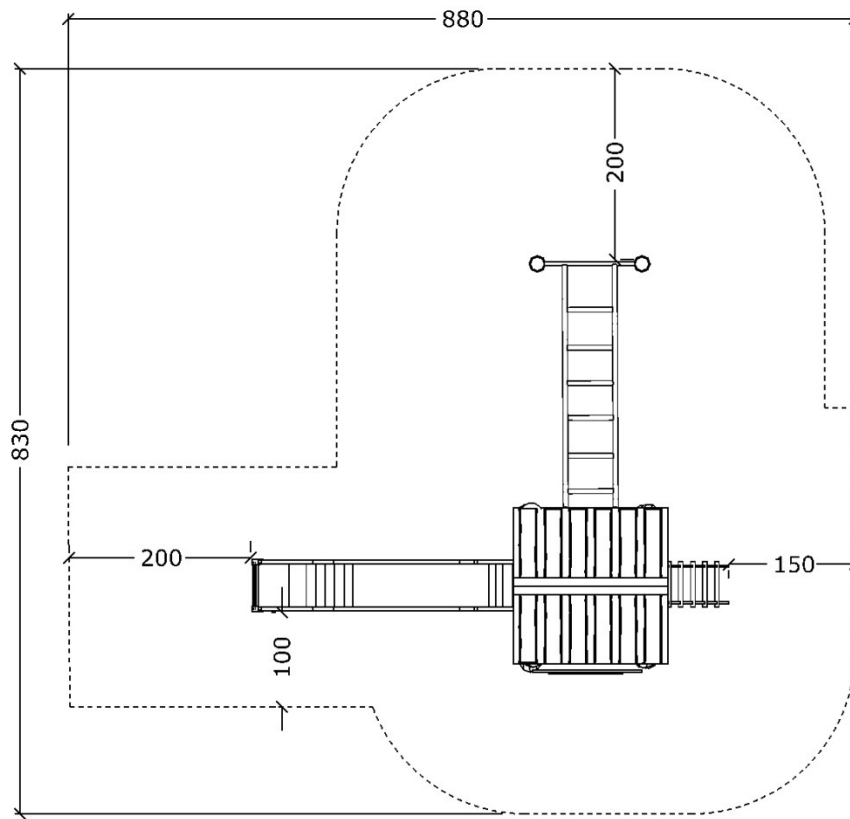
Safety area:

Sign:SE/Aps

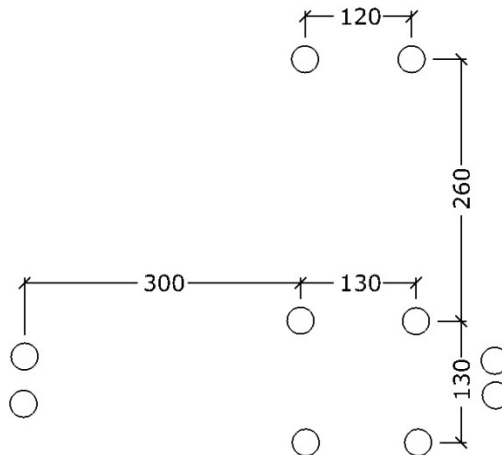
Rev:

Scale:

Page: 2 of 7



Plan, safety area



Foundation plan

Stamp / signature:

Subject: Safety area, Foundation plan



Date:04.09.2012

Dr.Nr:RL 217 T-3

Format: A4

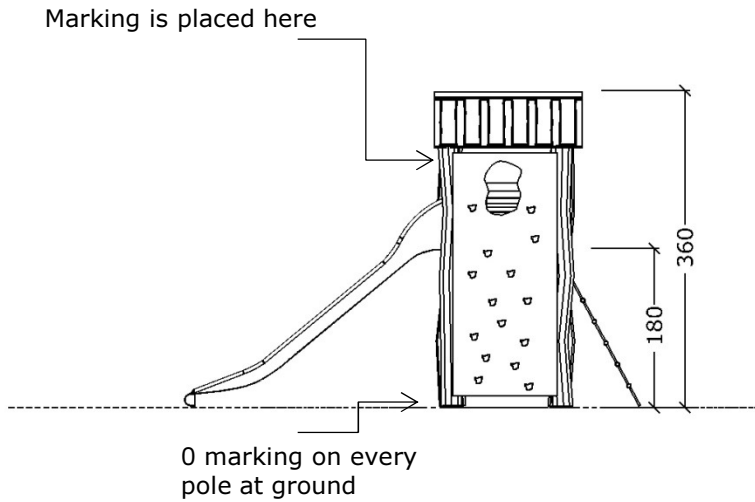
Safety area:51m2

Sign:SE/Aps

Rev:

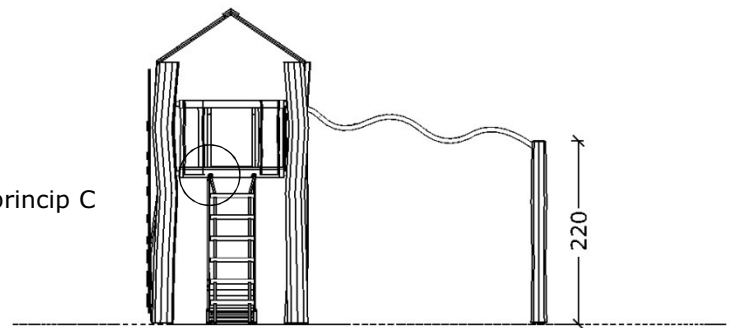
Scale:

Page: 3 of 7



Elevation, front

Assembly princip C



Elevation, side

Stamp / signature:

Subject: Elevation, front – side



Date:04.09.2012

Dr.Nr:RL 217 T-4

Format: A4

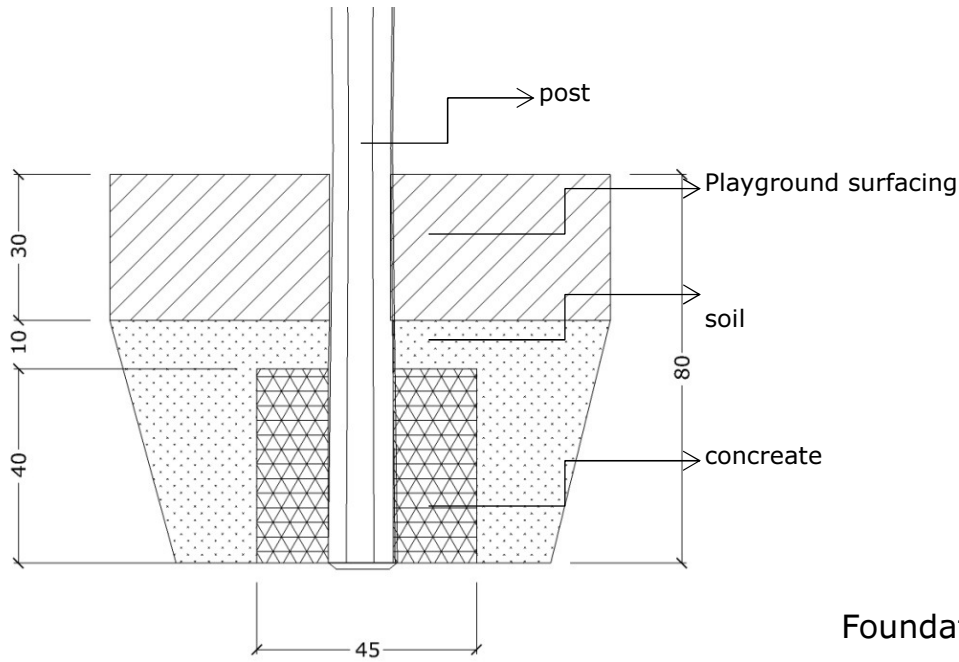
Safety area:

Sign:SE/Aps

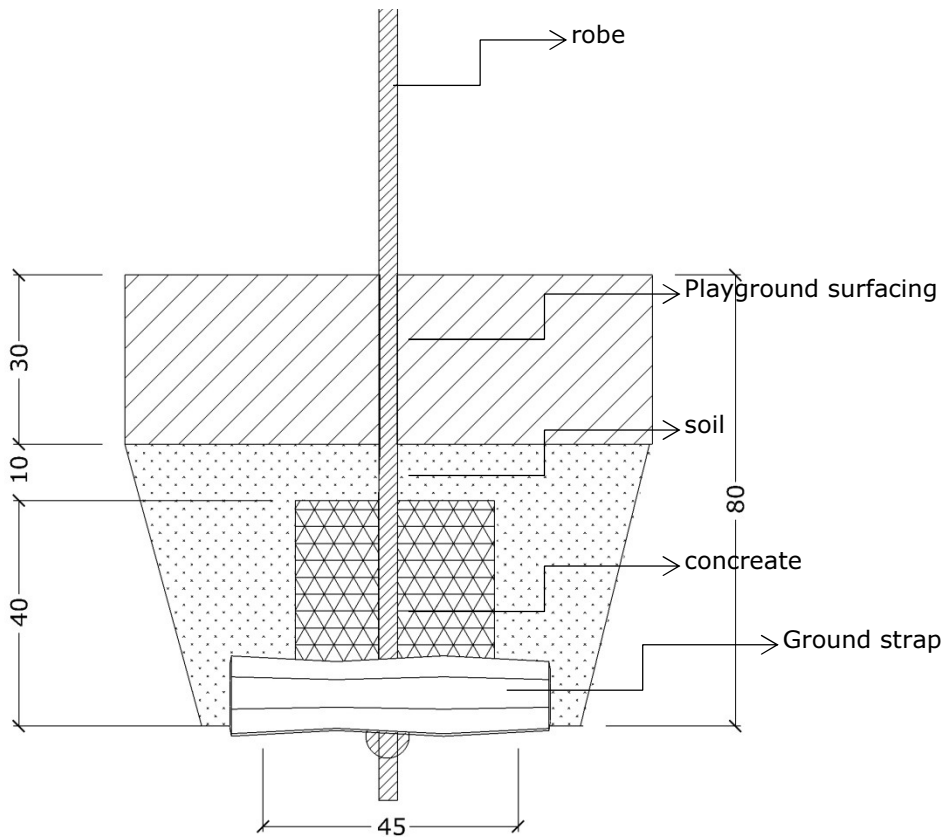
Rev:

Scale:

Page: 4 of 7



Foundation, post



Foundation, robe

Stamp / signature:

Subject: Foundation



Date:04.09.2012

Dr.Nr:RL 217 T-5

Format: A4

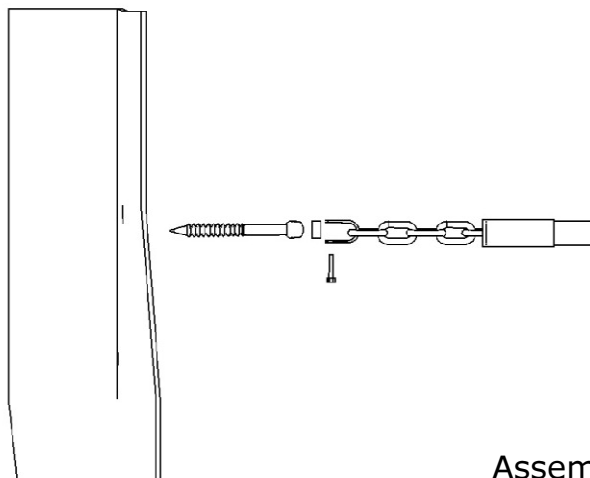
Safety area:

Sign:SE/Aps

Rev:

Scale:

Page: 5 of 7



Stamp / signature:

Subject: Assembly princip C



Date:04.09.2012

Dr.Nr:RL 217 T-6

Format: A4

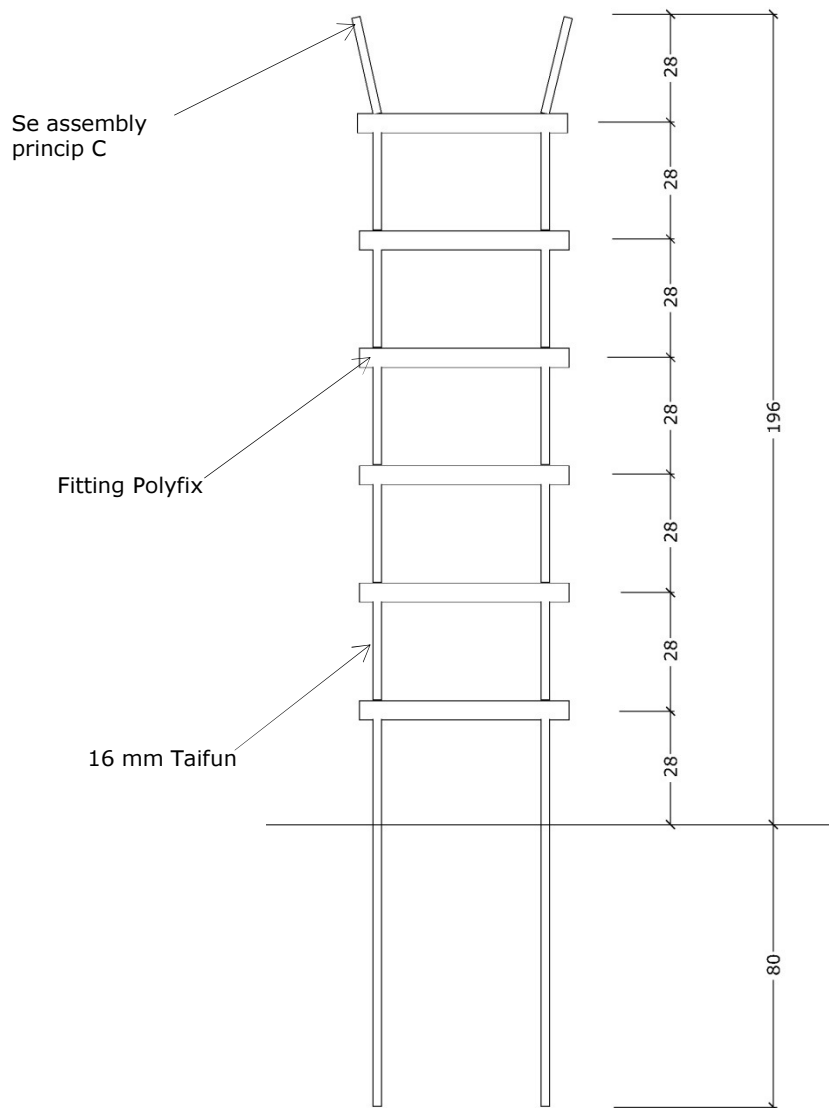
Safety Area:

Sign:SE/Aps

Rev:

Scale:

Page: 6 of 7



Stamp / signature:

Subject: Robe ladder 10956



Date:04.09.2012

Dr.Nr:RL 217 T-7

Format: A4

Safety Area:

Sign:SE/Aps

Rev:

Scale:

Page: 7 of 7