

Product description:

RL 208 is a play system, with climbing net, slide, rope ladder, climbing plat, aso The robe is taifun, slide stainless steel.
The wood is Robinie heartwood whit a durability of aprox 30 years in contact with soil.

Target group:

For Children aged 3-14 years.

Safety requirements:

RL 208 maintains the requirements described in EN 1176, part 1 and 2 (2008 edition)

Technical specifications:

Se our cataloque page 10



Stamp / signature:

Subject: 3d drawing



Date:04.09.2012

Dr.Nr:RL 208 T-1

Format:A4

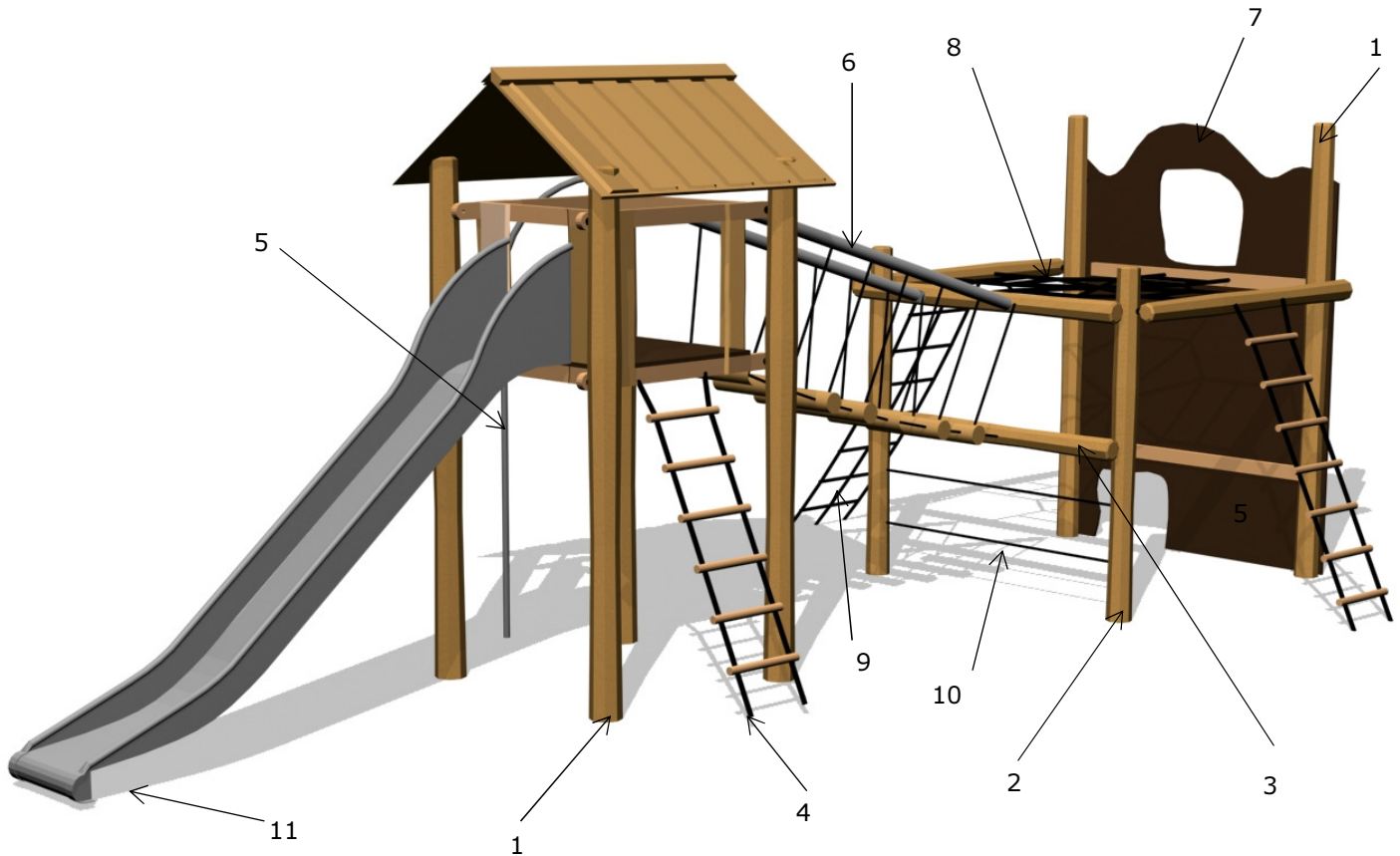
Safety area:

Sign:SE/Aps

Rev:

Scale:

Page: 1 of 9



Partlist:

No:	Name:	Pcs.:	Dimension:	Drawing nr.:	Certificate nr.:
1	Post	6	Robinie Ø14-16cm L=380cm		
2	Post	2	Robinie Ø14-16cm L=300cm		
3	Cros beam	6	Robinie Ø12-14cm L=220cm		
4	Robe ladder	2		10956	
5	Fireman pole	1		11005	
6	Wobbel bride	1		10955	
7	Climbing plate	1			
8	Net	1		11090	
9	Net	1		10952	
10	Robe	1		10097	
11	Slide	1			
12	Robe insallation, post		Se Assembly principle C		
13	Distance block, incl fittings		Se Assembly principle A		

Stamp / signature:

Subject: Part list



Date:04.09.2012

Dr.Nr:RL 208 T-2

Format:A4

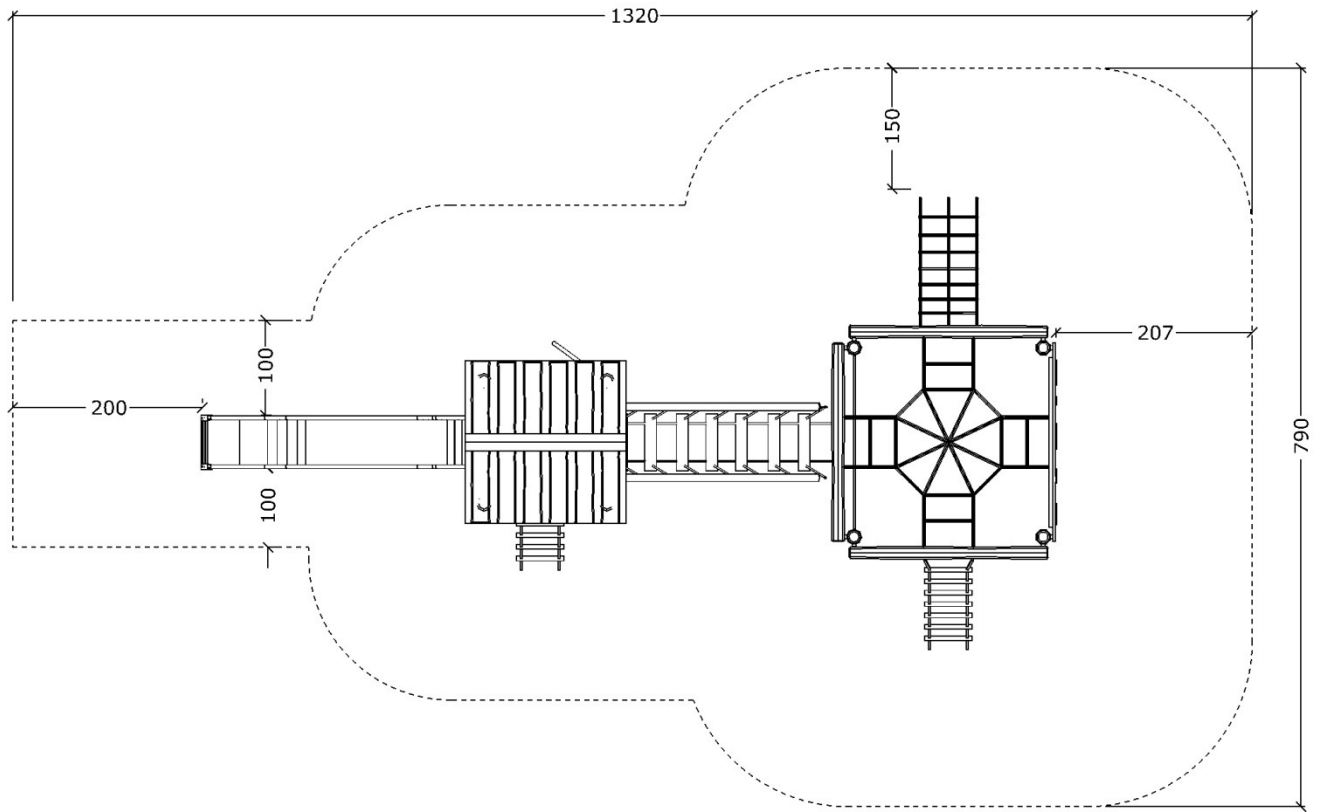
Safety area:

Sign:SE/Aps

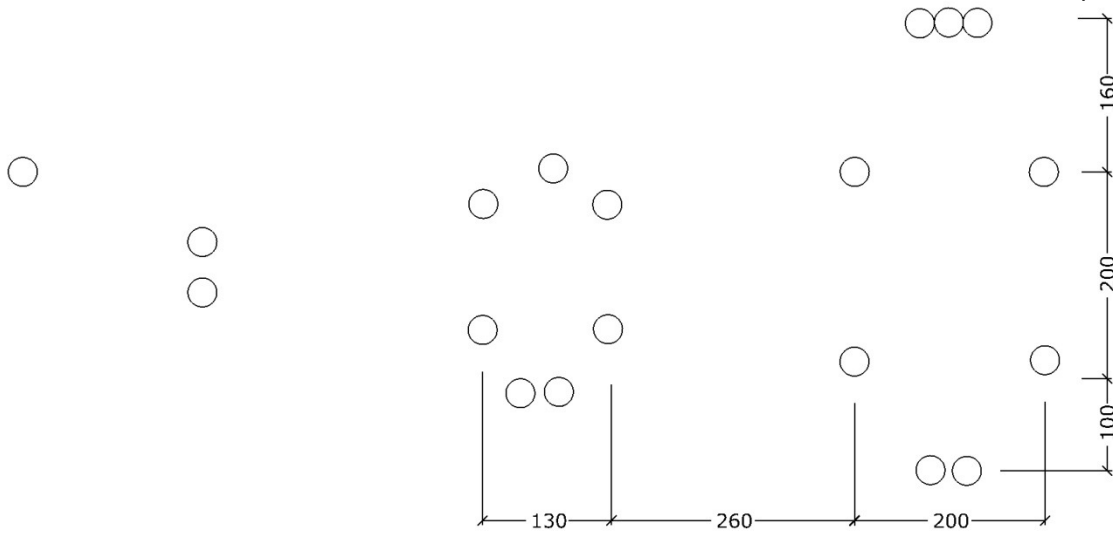
Rev:

Scale:

Page: 2 of 9



Plan, safety area



Foundation plan

Stamp / signature:

Subject: Safety area, Foundation plan



Date: 04.09.2012

Dr.Nr: RL 208 T-3

Format: A4

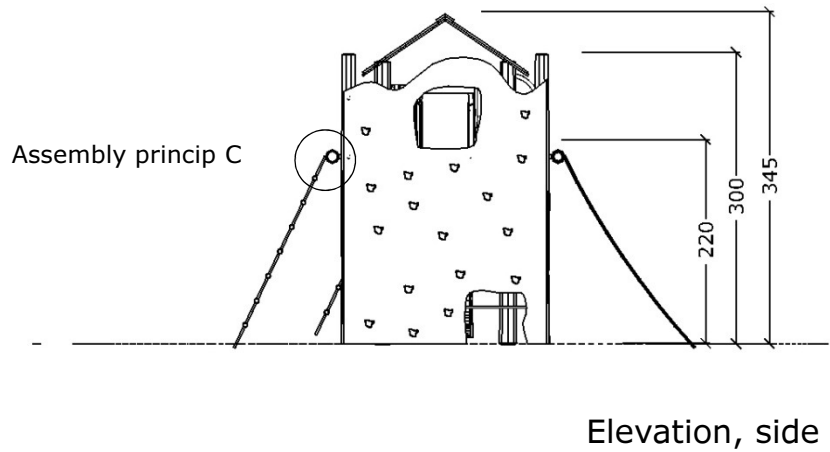
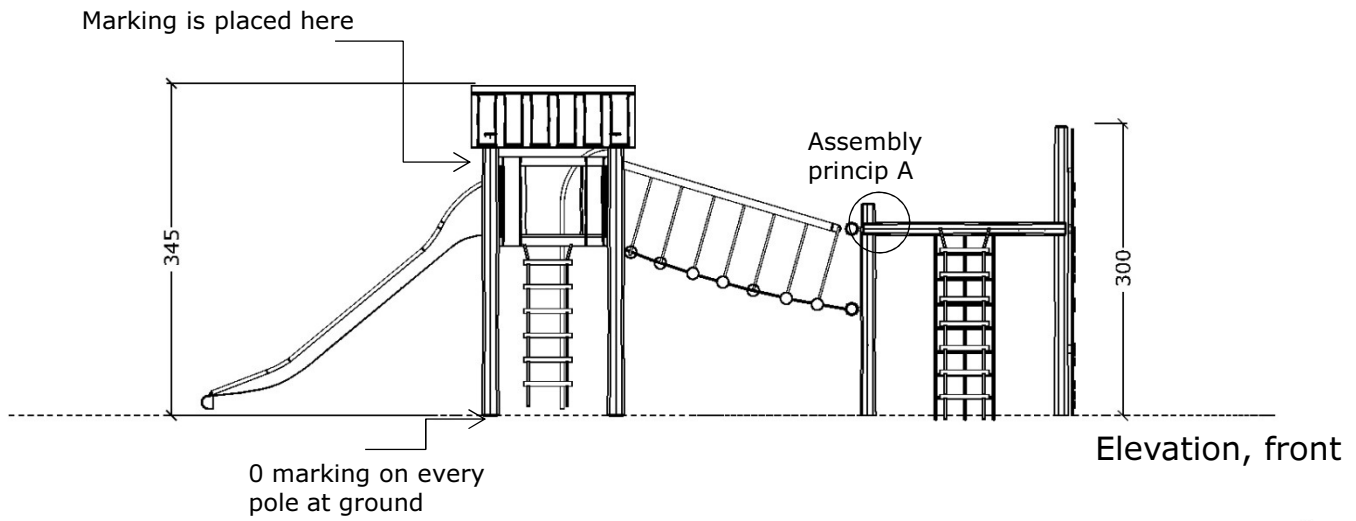
Safety area: 72m2

Sign: SE/Aps

Rev:

Scale:

Page: 3 of 9



Stamp / signature:

Subject: Elevation, front – side



Date:04.09.2012

Dr.Nr:RL 208 T-4

Format: A4

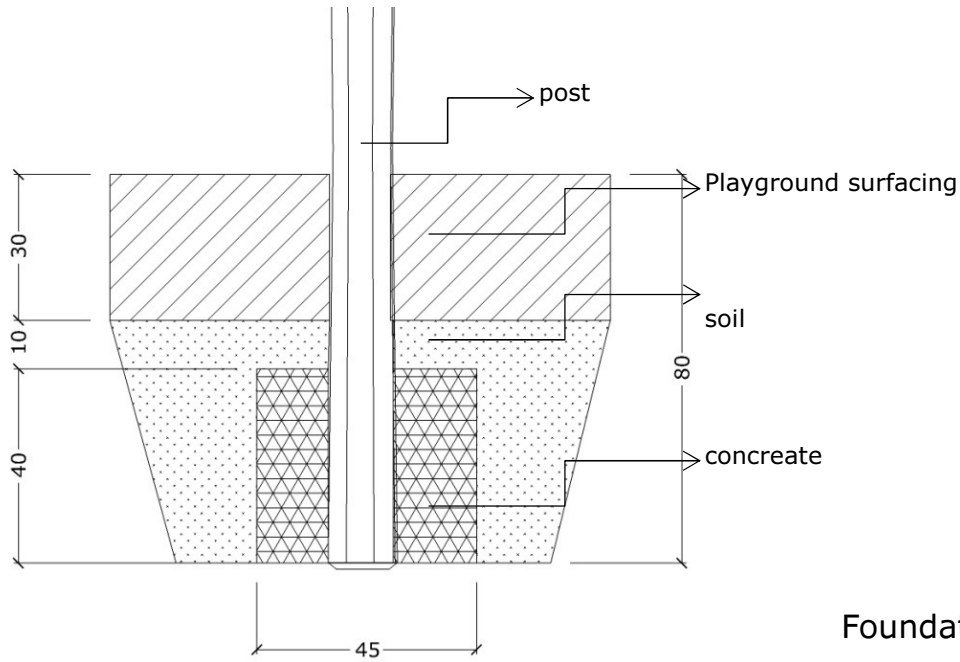
Safety area:

Sign:SE/Aps

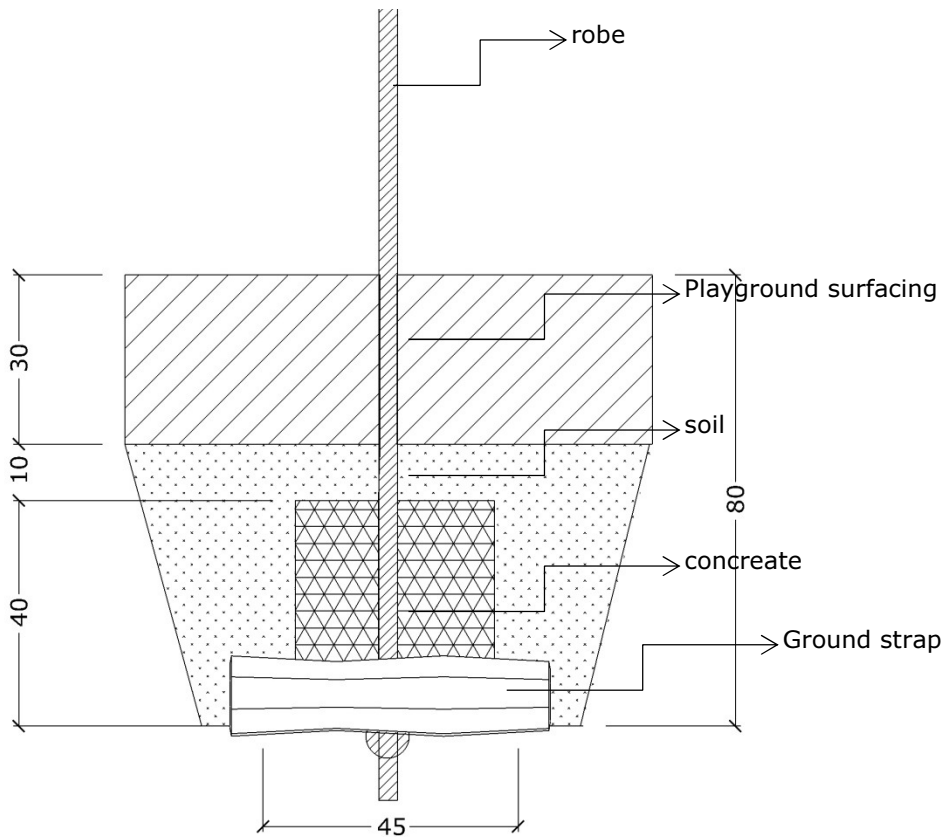
Rev:

Scale:

Page: 4 of 9



Foundation, post



Foundation, robe

Stamp / signature:

Subject: Foundation



Date:04.09.2012

Dr.Nr:RL 208 T-5

Format: A4

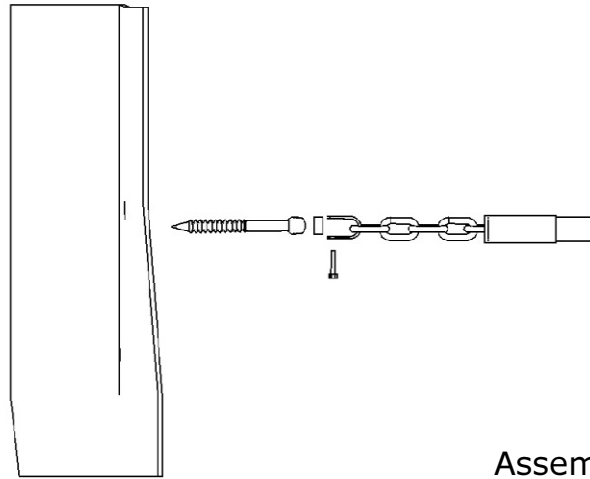
Safety area:

Sign:SE/Aps

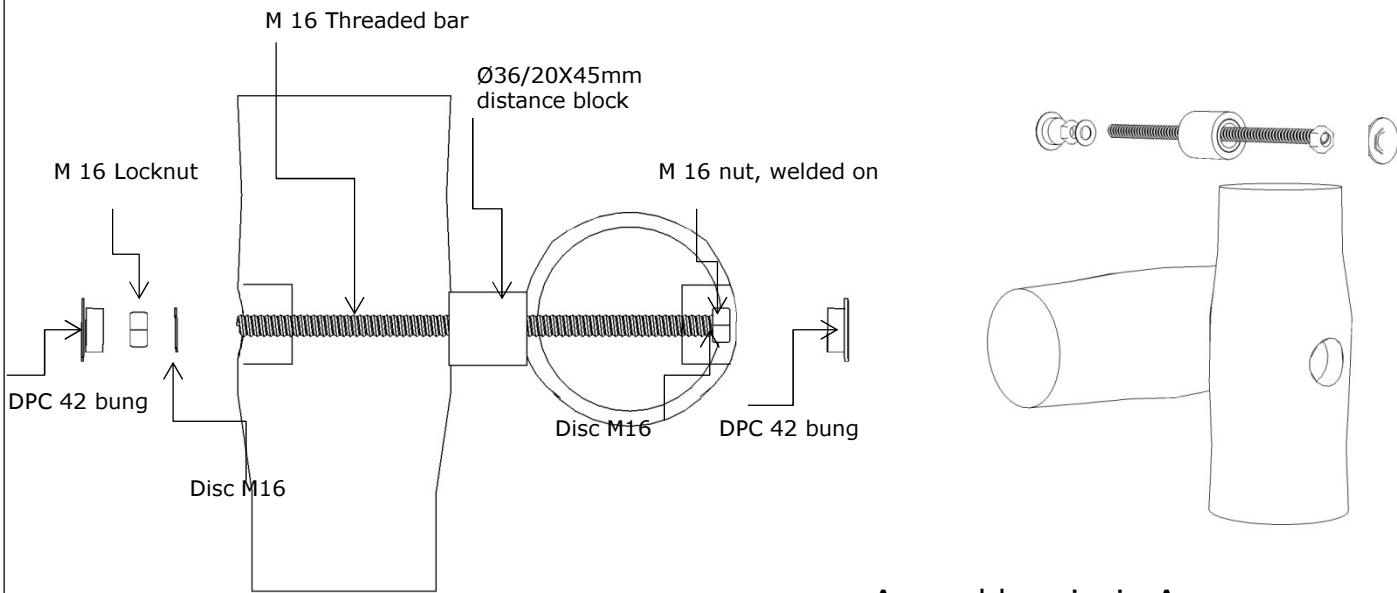
Rev:

Scale:

Page: 5 of 9



Assembly princip C



Assembly princip A

Stamp / signature:

Subject: Assembly princip C - A



Date: 04.09.2012

Dr.Nr: RL 208 T-6

Format: A4

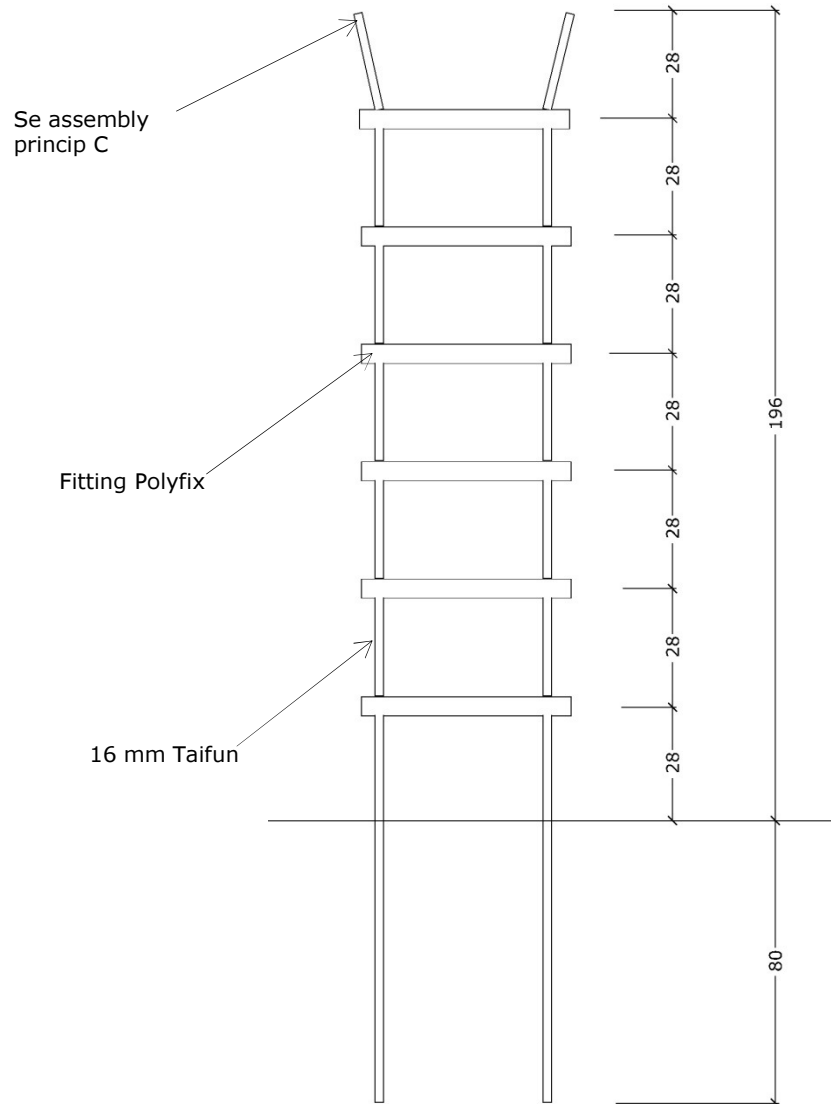
Safety Area:

Sign: SE/Aps

Rev:

Scale:

Page: 6 of 9



Stamp / signature:

Subject: Robe ladder 10956



Date:04.09.2012

Dr.Nr:RL 208 T-7

Format: A4

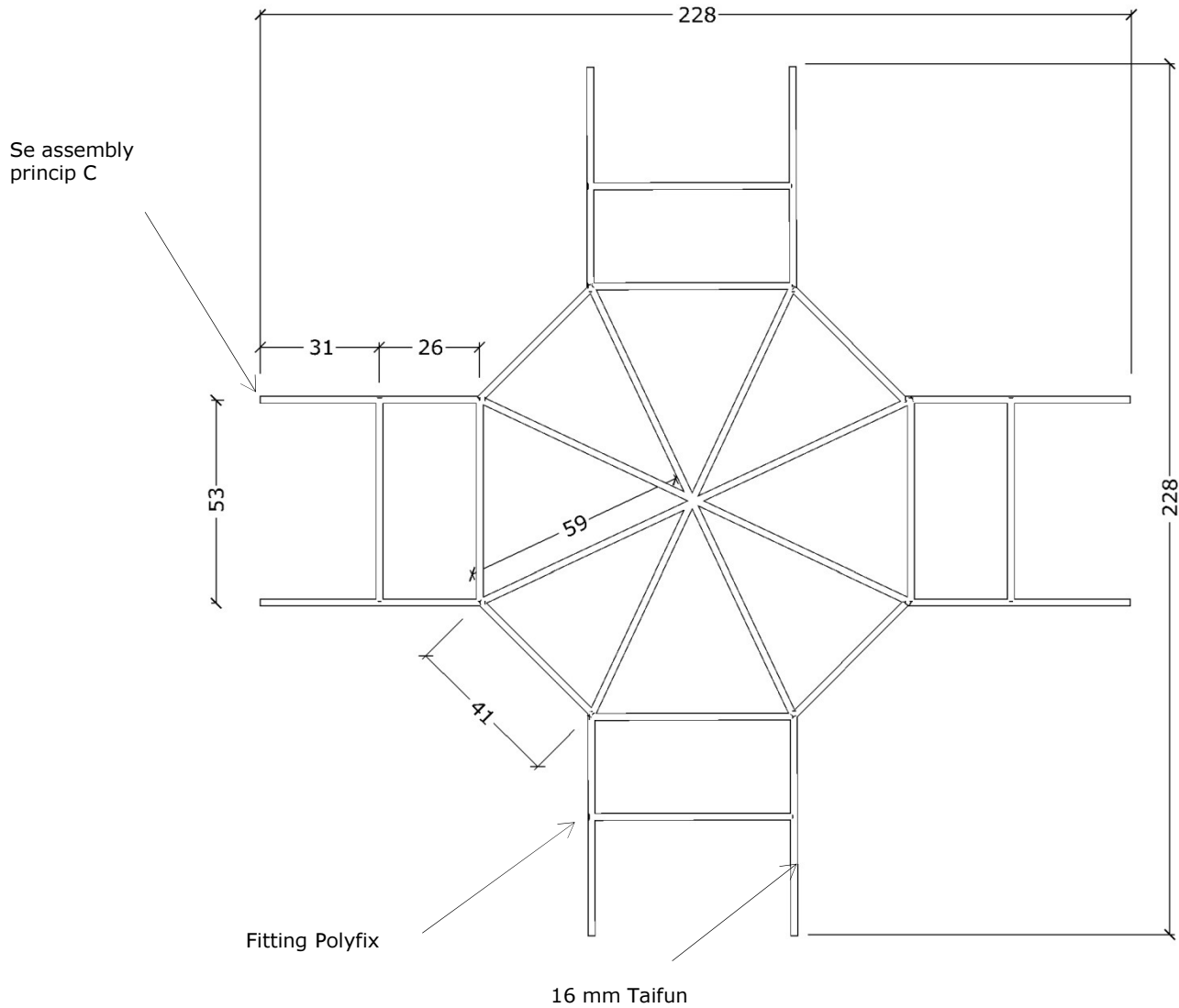
Safety Area:

Sign:SE/Aps

Rev:

Scale:

Page: 7 of 9



Stamp / signature:

Subject: Net 11090



Date:04.09.2012

Dr.Nr:RL 208 T-8

Format: A4

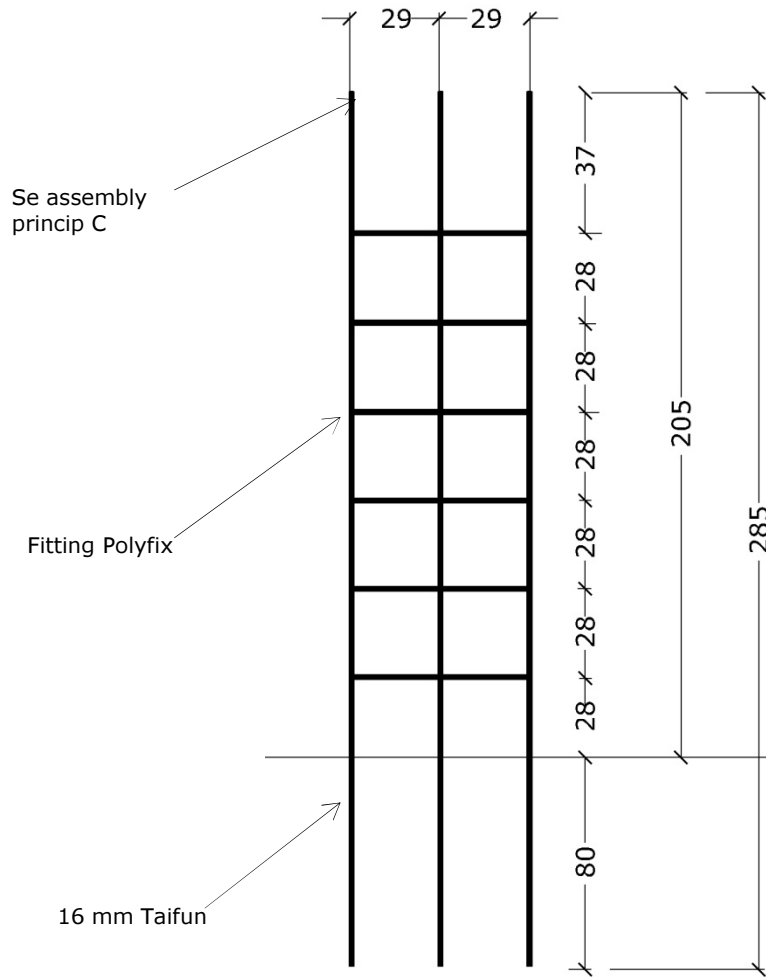
Safety Area:

Sign:SE/Aps

Rev:

Scale:

Page: 8 of 9



Stamp / signature:

Subject: Net 10956



Date: 04.09.2012

Dr.Nr: RL 208 T-9

Format: A4

Safety Area:

Sign: SE/Aps

Rev:

Scale:

Page: 9 of 9