

**Product description:**

RRB is a rotating balance beam system where its possible to jump, climb and balance. The robe ar in taifun wire.

The wood is Robinie heart-wood whit a durability of aprox 30 years in contact with soil.

**Target group:**

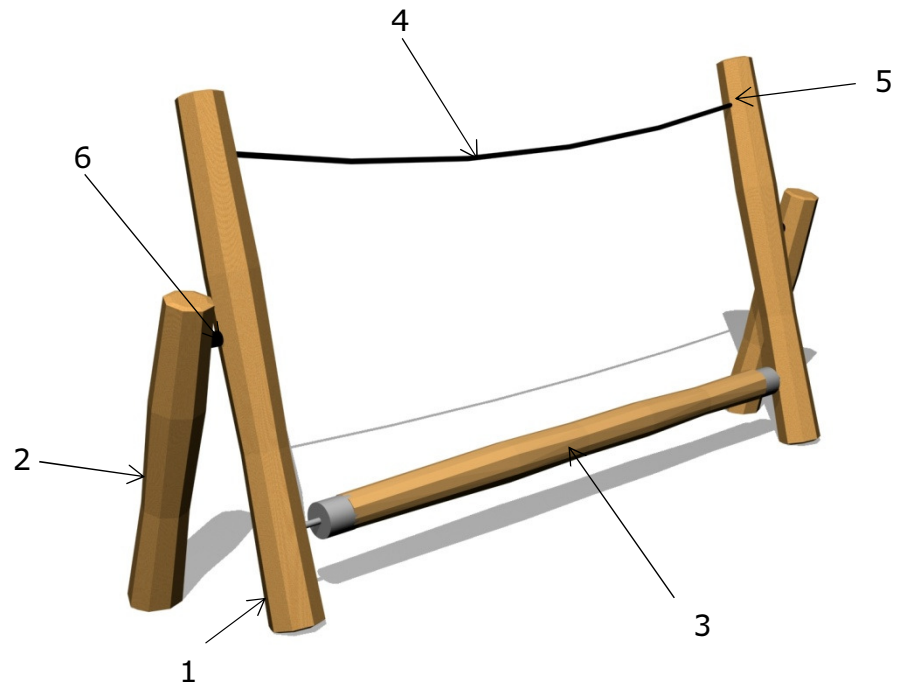
For Children aged 3-14 years.

**Safety requirements:**

RRB maintains the requirements described in EN 1176, part 1 and 2 (2008 edition)

**Technical specifications:**

Se our catalogue page 56



**Partlist:**

No:	Name:	Pcs.:	Dimension:	Drawing nr.:	Certificate nr.:
1	Post	2	Robinie Ø14-16cm L=300cm		
2	Post	2	Robinie Ø14-16cm L=300cm		
3	Cross beam	5	Robinie Ø14-16cm L=200cm	11390	B100737353029
4	Rope	1			
5	Robe installation	2	Se Assembly principle C		
6	Distance block, incl. fittings	2	Se Assembly principle A		

Stamp / signature:

Subject: 3d drawing  
Part list



Date:04.09.2012

Dr.Nr:RRB T-1

Format:A4

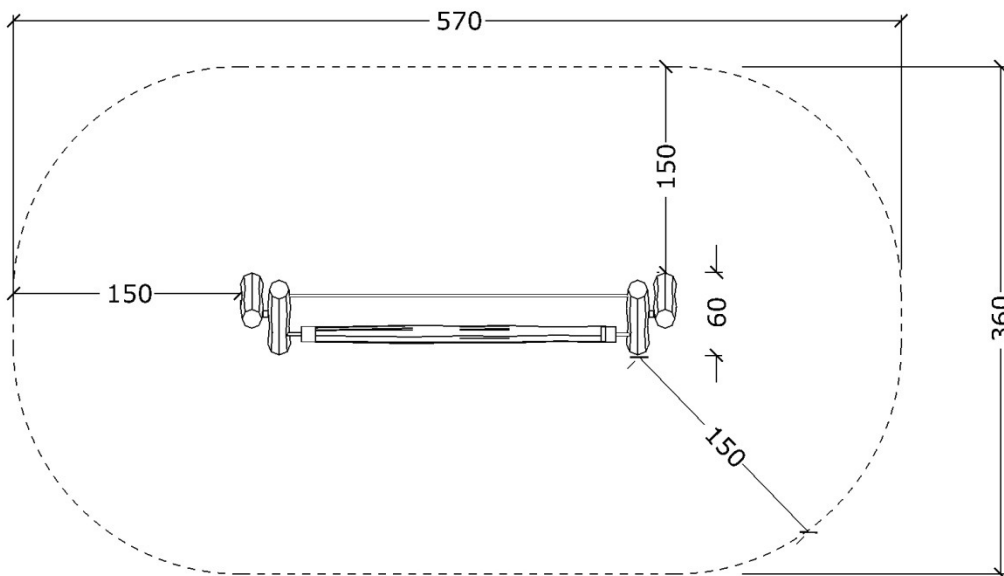
Safety zone:18m2

Sign:SE/Aps

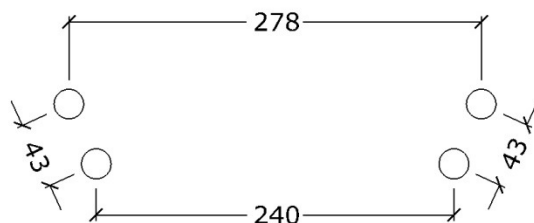
Rev:

Scale:

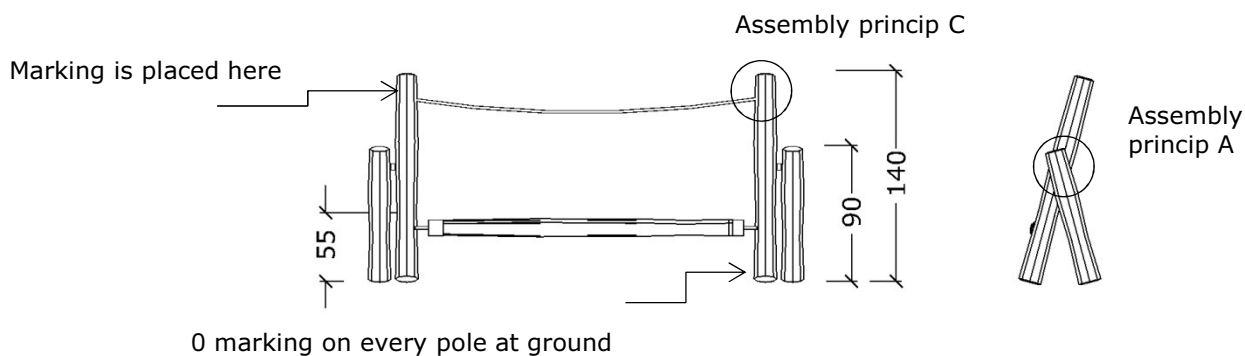
Page: 1 of 5



Plan, safety area



Foundation plan



Elevation, side

Elevation, front

Stamp / signature:

Subject: Safety area, Foundation plan



Date: 04.09.2012

Dr.Nr: RRB T-2

Format: A4

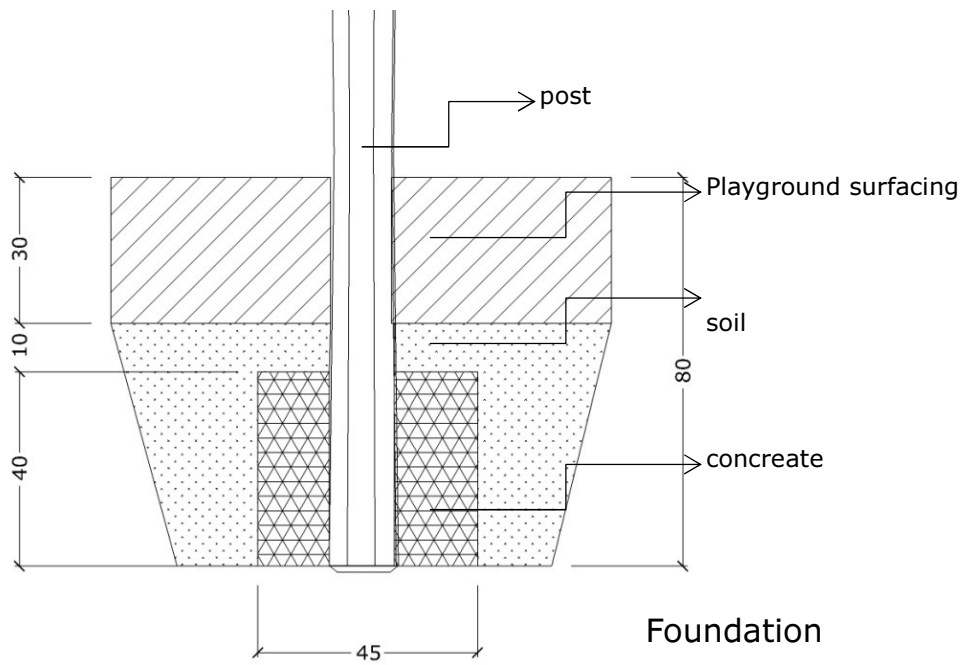
Safety area: 18m2

Sign: SE/Aps

Rev:

Scale: 1:50

Page: 2 of 5



Stamp / signature:

Subject: Foundation



Date:04.09.2012

Dr.Nr:RRB T-3

Format: A4

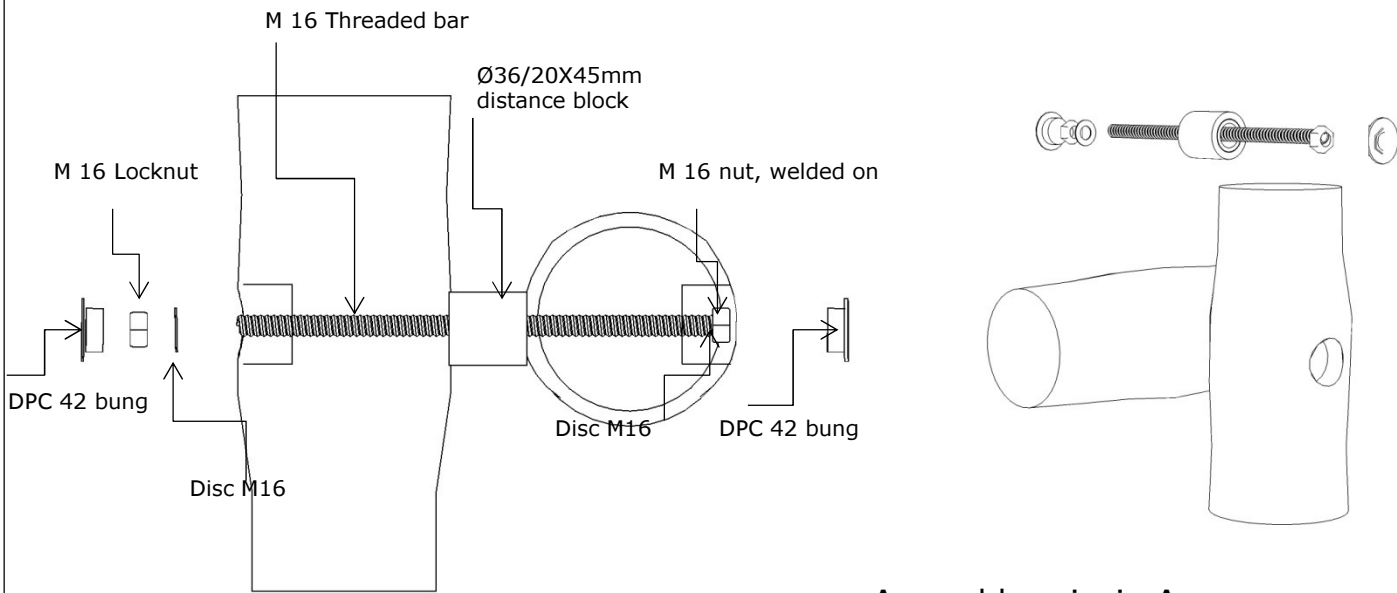
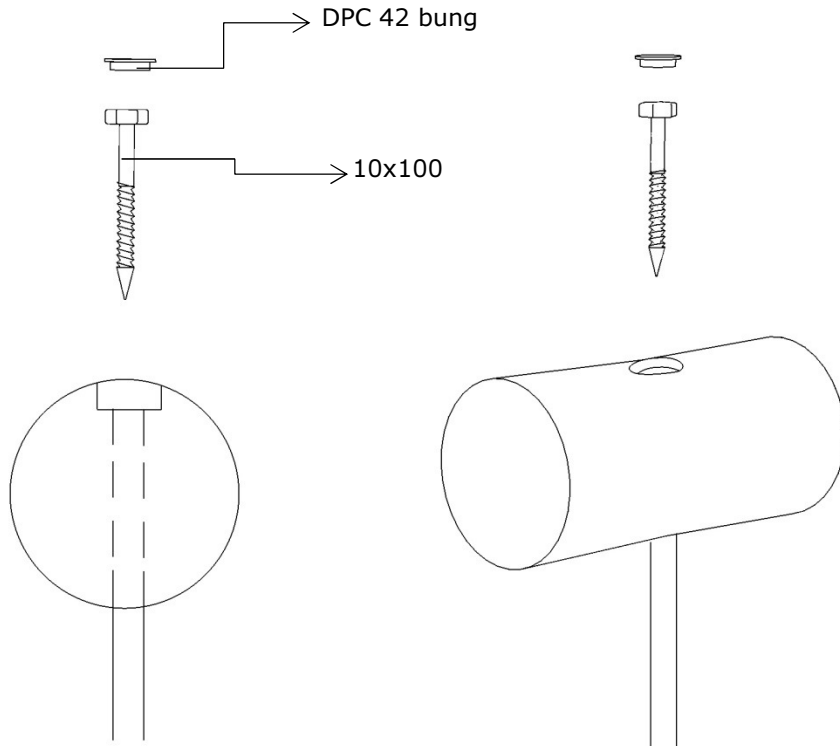
Safety zone:18m2

Sign:SE/Aps

Rev:

Scale:

Page: 3 of 5



Stamp / signature:

Subject: Assembly princip E - A



Date:04.09.2012

Dr.Nr:RRB T-4

Format: A4

Safety zone:18m2

Sign:SE/Aps

Rev:

Scale:

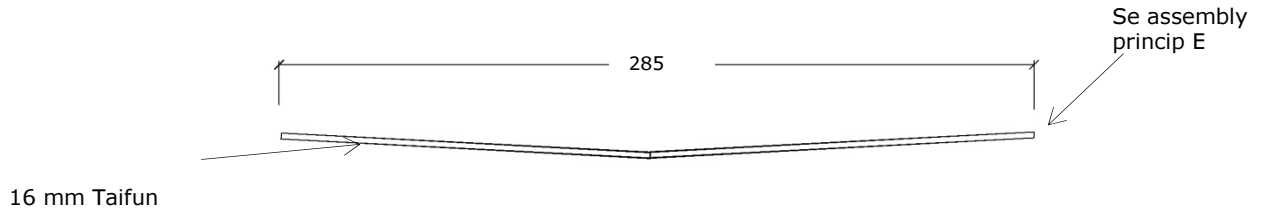
Page: 4 of 5

**Product description:**

10097 is a robe in taifun wire.

**Safety requirements:**

10097 maintains the requirements described in EN 1176, part 1 and 2 (2008 edition)



**Partlist:**

No:	Name:	Pcs.:	Dimension:	Drawing nr.:	Certificate nr.:
1	Net	1	16 mm Taifun	11097	
2	robe	2			

Stamp / signature:

Subject: Drawing  
Partlist



Date:04.09.2012

Dr.Nr:10097 T-1

Format:A4

Sign:SE/Aps

Rev:

Scale:

Page: 6 of 6