

# Væg 4 Parkour.

Form nr.002  
1.12.12

## Product description:

Væg 4 is a box for Parkour.  
The box is available in 5 different materials combination

## Target group:

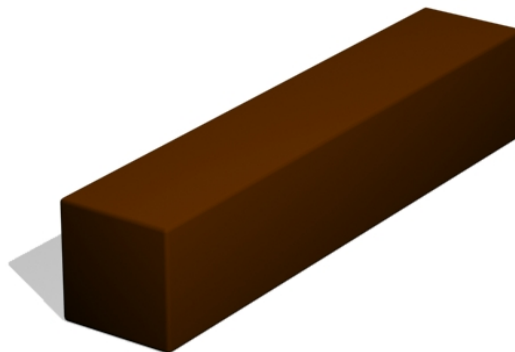
For Children from aged 6.

## Safety requirements:

Væg 4 maintains the requirements described in EN 1176, part 1 and 2 (2008 edition)

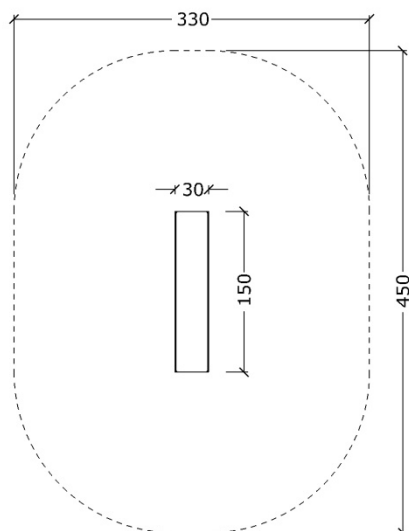
## Technical specifications:

Se our catalogue page XX



<b>Væg 4 PP</b> Box in Plywood Top in Plywood Weight:	<b>Væg 4 PG</b> Box in Plywood Top in rubber Weight:	<b>Væg 4 CC</b> Box in Concrete Top in Concrete Weight:	<b>Væg 4 CG</b> Box in Fiber Concrete Top in Rubber Weight:	<b>Væg 4 GG</b> Box in Rubber Top in Rubber Weight:	Color  A B C D E F
--	---	--	--	--	-----------------------------

Plan, safety zone



Elevation front, side



Fore most of our products are there developed one or more variants. If you want more information please contact Noles A/S on mail [info@noles.dk](mailto:info@noles.dk) or telephone +45 8686 1055

