

Væg 5 Parkour.

Form nr.002
1.12.12

Product description:

Væg 5 is a box for Parkour.
The box is available in 5
different materials combination

Target group:

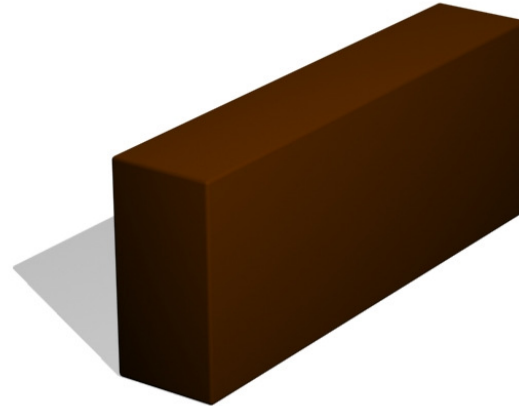
For Children from aged 6.

Safety requirements:

Væg 5 maintains the require-
ments described in EN 1176,
part 1 and 2 (2008 edition)

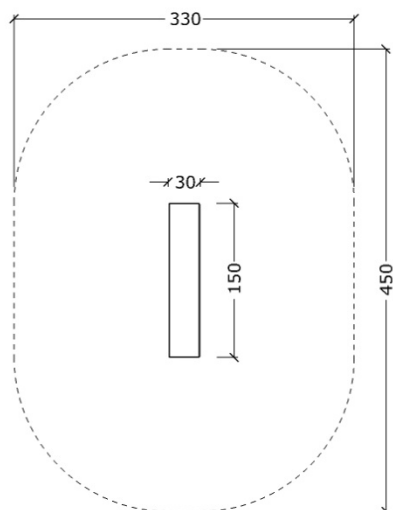
Technical specifications:

Se our catalogue page XX



Væg 5 PP Box in Plywood Top in Plywood Weight:	Væg 5 PG Box in Plywood Top in rubber Weight:	Væg 5 CC Box in Concrete Top in Concrete Weight:	Væg 5 CG Box in Fiber Concrete Top in Rubber Weight:	Væg 5 GG Box in Rubber Top in Rubber Weight:	Color A B C D E F
--	---	--	--	--	-----------------------------

Plan, safety zone



Elevation front, side



Fore most of our products are there developed one or more variants. If you want
more information please contact Noles A/S on
mail info@noles.dk or telephone +45 8686 1055

